

BASTIRAN



PIPE HANGERS & SUPPORTS



Company Introduction

Bastiran Company established in 1989, is the first manufacturer of over 400 types of clamps and pipe supports (made of iron, copper, aluminum, stainless steel, ...) with polyethylene base and PVC covers, insulated against heat and electricity. Support sizes range from 6 to 3000mm, suitable for all types of installations, including construction industries, water, gas, electricity, petrochemical and telecommunication.

Certificates / Standards

Bastiran has been awarded certificates from Iran National Gas Company, Noel Group, Techpro and Klockner Consortiums and the products are manufactured according to ASTM, ANSI, BSI and DIN international standards.





CONSORTIUM
FOR THE MANUFACTURE
OF STEEL WIRE RODS AND
REINFORCING BARS
NATIONAL INDIAN
CORPORATION
POONA

SALES AND
MARKETING

Document No. 71 2052
Date 1/19/86
Ref. ANSI Z39.18-1984

For the attention of the Managing Director,

Dear Sir,

Re: Customer Order Guide Letter 11/84

This letter is to inform you that the first response
received by your Company from our sales staff, Bombay,
has been satisfactory. However, your new order
instructions have been received and are being
checked. This will ensure that the
order is processed in the most efficient manner
possible.

Yours faithfully,

S. S. Desai

S. S. Desai,
Sales Agent.

Name _____

Name _____

Address _____
City _____
State _____
Zip _____

Address _____
City _____
State _____
Zip _____



an Division of The Packaging Corp.

Est. in June 1982

www.nocell.com

To: _____

Name _____

NOELL is a quality steel wire rod manufacturer
and supplier of steel wire rods and
reinforcing bars. Since 1982 we have
been manufacturing a wide range of
steel wire rods and reinforcing bars
meeting the highest quality standards.
Our steel wire rods are used in
a wide range of applications and are
available in a wide range of
grades and sizes.

NOELL




NOELL is a quality steel wire rod manufacturer and supplier of steel wire rods and reinforcing bars. Since 1982 we have been manufacturing a wide range of steel wire rods and reinforcing bars meeting the highest quality standards. Our steel wire rods are used in a wide range of applications and are available in a wide range of grades and sizes.

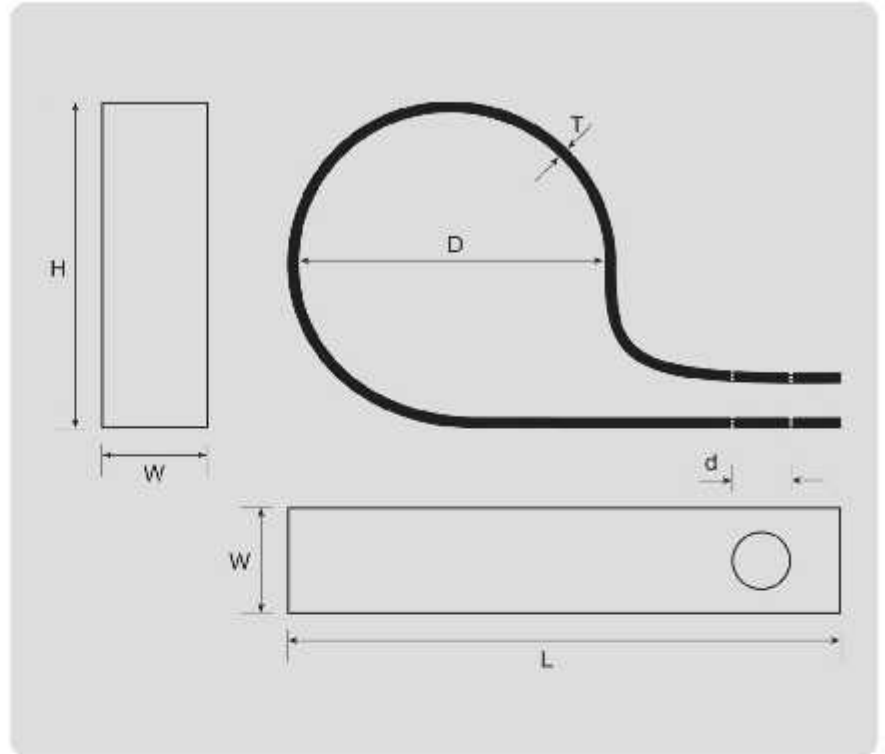
INDEX:

PRODUCT	PAGE	PRODUCT	PAGE	PRODUCT	PAGE
 A-10 Sap. 100-110mm	4	 L-21 Sap. 150-170mm	12	 S-20 Sap. 100-120mm	19
 B-11 Sap. 100-120mm	5	 M-22 Sap. 100-120mm	13	 T-25 Sap. 100-120mm	20
 E-18 Sap. 100-120mm	6	 N-23 Sap. 100-120mm	14	 U-30A Sap. 100-120mm	21
 D-13 Sap. 100-120mm	7	 O-24 Sap. 100-120mm	15	 U-30B & U-30C Sap. 100-120mm	22
 G-16 Sap. 100-120mm	8 & 9	 P-26 Sap. 100-120mm	16	 V-27 Sap. 100-120mm	23
 H-17 Sap. 100-120mm	10	 R-21 Sap. 100-120mm	17	 V-21A Sap. 100-120mm	24
 J-19 & K-20 Sap. 100-120mm	11	 R-21A Sap. 100-120mm	18	 W-32 Sap. 100-120mm	25

INDEX:

PRODUCT	PAGE	PRODUCT	PAGE	PRODUCT	PAGE
 X-29A Size: 1" x 2 1/2"	26	 BS-5 Size: 1 1/2" x 1"	33	 BS-21 Size: 1" x 1 1/2"	39
 X-29B Size: 2" x 2 1/2"	27	 BS-7 Size: 1 1/2" x 2"	34	 BS-22 Size: 1 1/2" x 1"	40
 Y-24A Size: 1" x 1 1/2"	28	 BS-9 Size: 1 1/2" x 1 1/2"	35	 BS-23 Size: 1 1/2" x 1"	41
 Y-24B Size: 1 1/2" x 1"	29	 BS-11 Size: 1 1/2" x 1"	36		
 Y-24C Size: 1 1/2" x 1"	30	 BS-14 Size: 1 1/2" x 2"	37		
 BS-1 Size: 1 1/2" x 1"	31	 BS-10 Size: 1" x 2 1/2"	38		
 BS-2 Size: 1 1/2" x 2 1/2"	32	 BS-17 Size: 1 1/2" x 1 1/2"	39		

Manufacturer of Industrial Pipe Fixing



Product Code: A-10

Product Name: Belt Clamp

Size: 6 - 60 mm

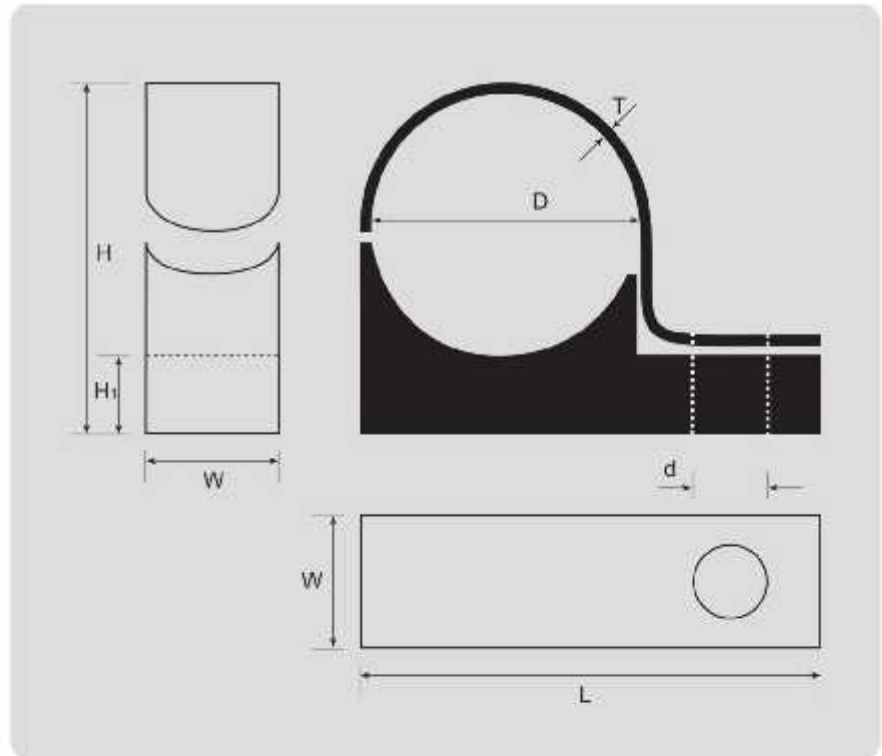
Coating: Electro galvanized with P.V.C cover

DIMENSION (mm)

D	d	H	L	T	W
6	6	7	27	0.5	13
7	6	8	28	0.5	13
8	6	9	29	0.5	13
9	6	10	30	0.5	13
10	6	11	31	0.5	13
11	6	12	32	0.5	13
12	6	13	33	0.5	13
13	6	14	34	0.5	13
14	6	15	35	0.5	13
15	6	16	36	0.5	13
16	6	17	37	0.5	13
17	6	18	38	0.5	13
18	7	19	39	0.6	20
19	7	21	40	0.6	20
20	7	22	41	0.6	20
21	7	23	42	0.6	20
22	7	24	43	0.6	20
23	7	25	44	0.6	20
24	7	26	45	0.6	20
25	7	27	46	0.6	20
26	7	28	47	0.7	20
27	7	29	48	0.7	20
28	7	30	49	0.7	20
29	7	31	50	0.7	20
30	7	32	51	0.7	20
31	7	33	52	0.7	20
32	7	34	53	0.7	20
33	7	35	54	0.7	20

D	d	H	L	T	W
34	7	36	55	0.7	20
35	7	37	56	0.7	20
36	7	38	57	0.7	20
37	7	39	58	0.7	20
38	7	40	59	0.7	20
39	7	41	60	0.7	20
40	7	42	61	0.7	20
41	7	43	62	0.7	20
42	7	44	63	0.7	20
43	7	45	64	0.7	20
44	7	46	65	0.7	20
45	7	47	66	0.7	20
46	7	48	67	0.7	20
47	7	49	68	0.7	20
48	7	50	69	0.7	20
49	7	51	70	0.7	20
50	7	52	71	0.7	20
51	7	53	72	1.0	20
52	7	54	73	1.0	20
53	7	55	74	1.0	20
54	7	56	75	1.0	20
55	7	57	76	1.0	20
56	7	58	77	1.0	20
57	7	59	78	1.0	20
58	7	60	79	1.0	20
59	7	61	80	1.0	20
60	7	62	81	1.0	20

Manufacturer of Industrial Pipe Fixing



Product Code: B - 11

Product Name: Pipe Clamp

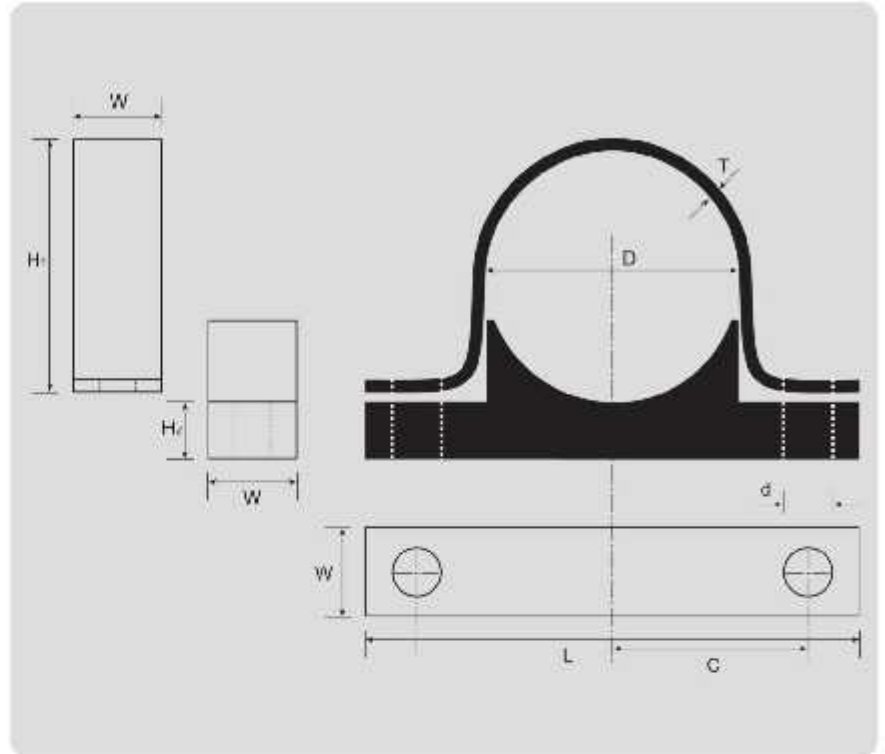
Size: 1/2 " & 3/4 "

Coating: Painted or electro galvanized

DIMENSION (mm)

Pipe size	D	d	H	H1	L	T	W
1/2 "	21.34	7	30	7	47	2	20
3/4 "	26.67	7	38	7	51	2	20

Manufacturer of Industrial Pipe Fixing



Product Code: C-12 & E-14 & F-15

Product Name: Pipe Clamp

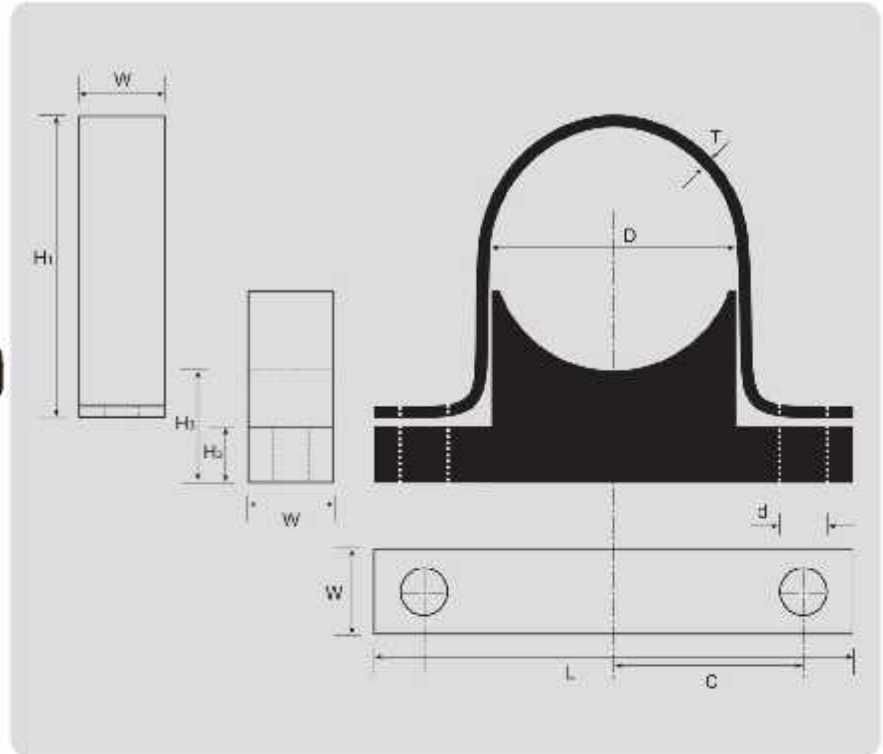
Size: 1/2 " - 8 "

Coating: Painted or electro galvanized with and without P.V.C cover

DIMENSION (mm)

Pipe size	D	d	H1	H2	L	C	T	W
1/2 "	21.34	7	25	8	73	25	2	20
3/4 "	26.67	7	29	8	82	29	2	20
1 "	33.40	7	35	8	86	32	2	20
1 1/4 "	42.16	7	42	8	93	33	2	20
1 1/2 "	48.26	7	52	8	100	38	2	20
2 "	60.32	7	61	8	113	43	2	20
2 1/2 "	73.02	9	77	8	130	54	2.3	24
3 "	88.90	9	91	8	147	60	2.3	24
4 "	114.30	9	112	8	168	70	2.3	24
	125	9	126	11	184	81	2.3	24
5 "	141.30	13	155	29	224	97	3.3	34
6 "	168.28	13	183	29	253	109	3.3	34
8 "	219.08	13	237	29	305	135	3.3	34

Manufacturer of Industrial Pipe Fixing



Product Code: D - 13

Product Name: Pipe Clamp

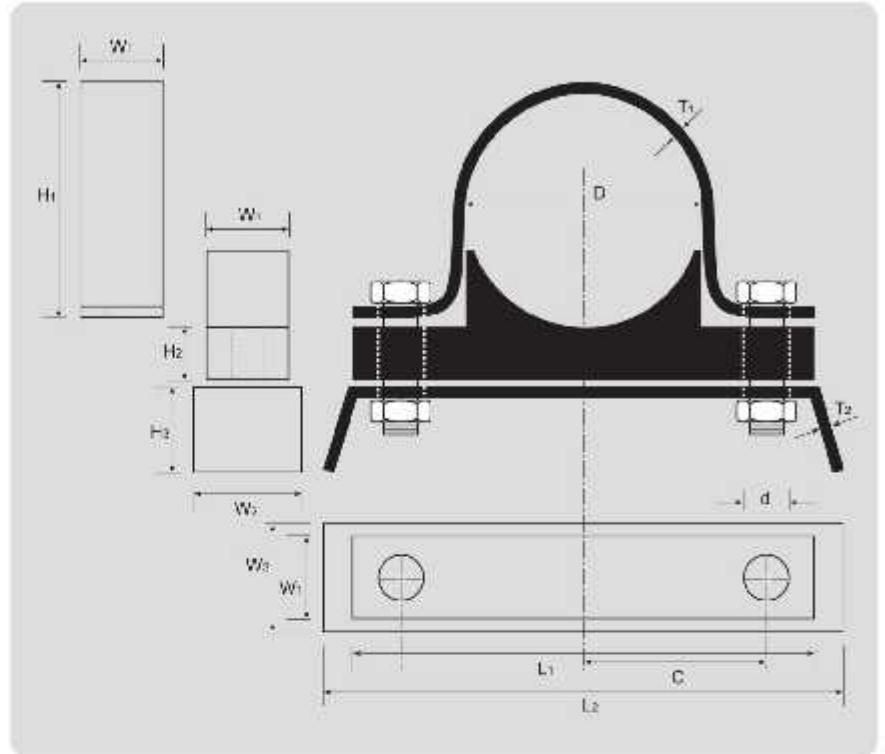
Size: 1/2 " & 2 "

Coating: Painted or electro galvanized with and without P.V.C cover

DIMENSION (mm)

Pipe size	D	d	H1	H2	H3	L	C	T	W
1/2 "	21.34	7	36	10	24	73	25	2	20
3/4 "	26.67	7	41	10	24	82	29	2	20
1 "	33.40	7	49	10	25	86	32	2	20
1 1/4 "	42.18	7	59	10	26	93	33	2	20
1 1/2 "	48.26	7	66	10	27	100	38	2	20
2 "	60.32	7	78	10	27	113	43	2	20

Manufacturer of Industrial Pipe Fixing



Product Code: G - 16

Product Name: Pipe Clamp

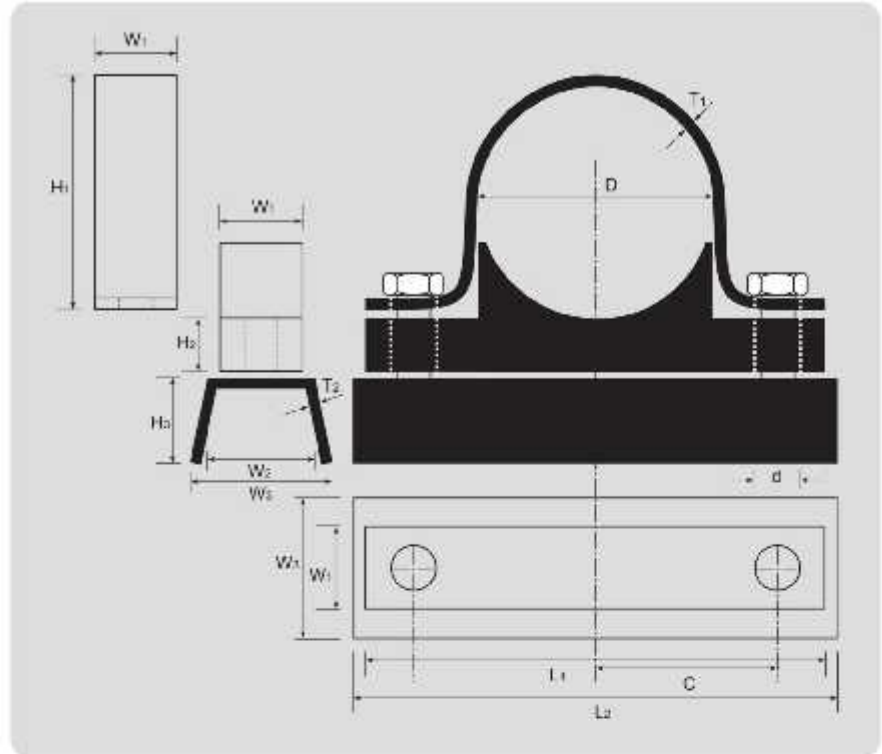
Size: 2" - 8"

Coating: Painted or electro galvanized with and without P.V.C cover

DIMENSION (mm)

Pipe size	D	d	H1	H2	H3	L1	L2	C	T1	T2	W1	W2	Nut&Bolt
2 "	60.32	7	61	8	50	113	155	43	2	5	20	50	5 x 20
2 1/2 "	73.02	9	77	8	50	130	180	54	2.3	5	24	50	8 x 25
3 "	88.90	9	91	8	50	147	177	60	2.3	5	24	50	8 x 25
4 "	114.30	9	112	8	50	168	198	70	2.3	5	24	50	8 x 25
	125	9	126	11	60	184	214	81	2.3	6	24	60	8 x 30
5 "	141.30	13	155	29	80	224	254	97	3.3	6	34	60	12 x 40
6 "	168.28	13	183	29	80	253	283	109	3.3	6	34	60	12 x 40
8 "	219.08	13	237	29	80	305	335	135	3.3	6	34	60	12 x 40

Manufacturer of Industrial Pipe Fixing



Product Code: G - 16

Product Name: Pipe Clamp

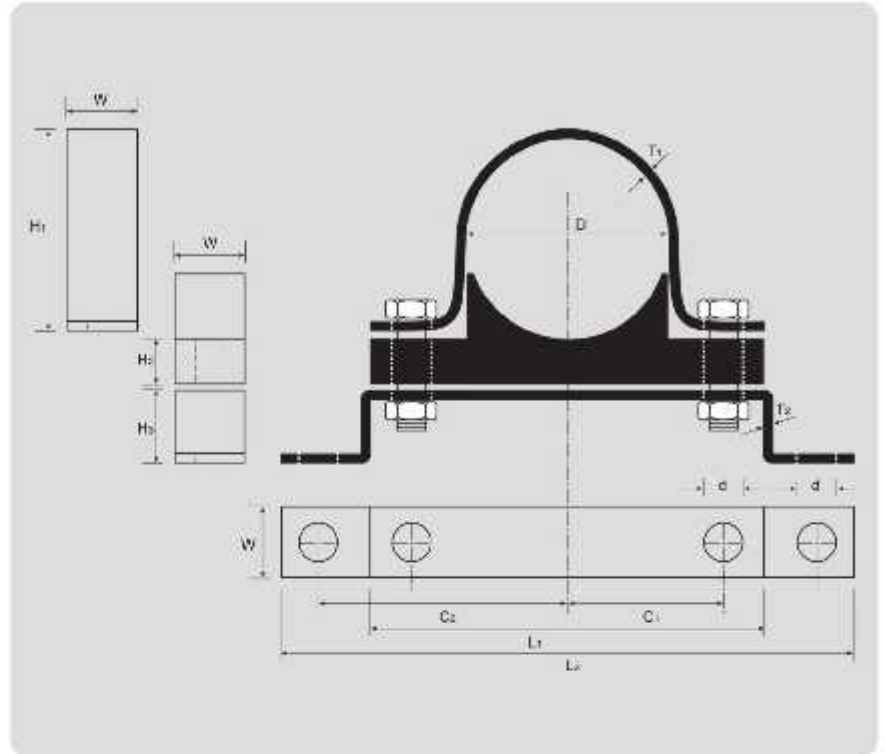
Size: 2 " - 8 "

Coating: Painted or electro galvanized with and without P.V.C cover

DIMENSION (mm)

Pipe size	D	d	H1	H2	H3	L1	L2	C	T1	T2	W1	W2	W3	Nut&Bolt
2 "	60.32	7	61	8	50	113	145	43	2	5	20	40	50	5 x 20
2 1/2 "	73.02	9	77	8	50	130	150	54	2.3	5	24	40	50	8 x 25
3 "	88.90	9	91	8	50	147	167	60	2.3	5	24	40	50	8 x 25
4 "	114.30	9	112	8	50	168	188	70	2.3	5	24	40	50	8 x 25
	125	9	126	11	60	184	204	81	2.3	6	24	50	60	8 x 30
5 "	141.30	13	155	29	80	224	244	97	3.3	6	34	50	60	12 x 40
6 "	168.28	13	183	29	80	253	273	109	3.3	6	34	50	60	12 x 40
8 "	219.08	13	237	29	80	305	325	135	3.3	6	34	50	60	12 x 40

Manufacturer of Industrial Pipe Fixing



Product Code: H-17 & I-18 & I-18A

Product Name: Pipe Clamp

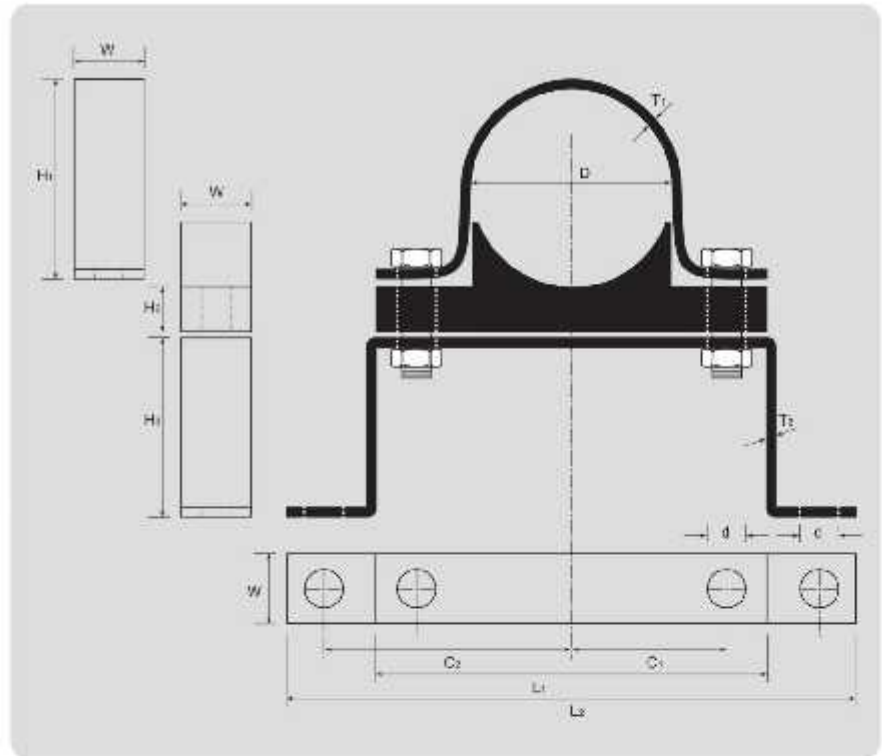
Size: 1/2 " - 8 "

Coating: Painted or electro galvanized with and without P.V.C cover

DIMENSION (mm)

Pipe size	D	d	H1	H2	H3	L1	L2	C1	C2	T	W	Nut&Bolt
1/2 "	21.34	7	25	8	22	73	116	25	47	2	20	5 x 20
3/4 "	26.67	7	29	8	22	82	126	29	53	2	20	5 x 20
1 "	33.40	7	35	8	22	86	129	32	53	2	20	5 x 20
1 1/4 "	42.16	7	42	8	25	93	142	33	61	2	20	5 x 20
1 1/2 "	48.26	7	52	8	25	100	142	38	61	2	20	5 x 20
2 "	60.32	7	61	8	25	113	153	43	68	2	20	5 x 20
2 1/2 "	73.02	9	77	8	27	130	185	54	82	2.3	24	8 x 25
3 "	88.90	9	91	8	27	147	199	60	90	2.3	24	8 x 25
4 "	114.30	9	112	8	27	168	220	70	99	2.3	24	8 x 25
	125	9	126	11	27	184	239	81	109	2.3	24	8 x 30
5 "	141.30	13	155	29	35	224	322	97	148	3.3	34	12 x 40
6 "	168.28	13	183	29	35	253	350	109	160	3.3	34	12 x 40
8 "	219.08	13	237	29	35	305	430	135	185	3.3	34	12 x 40

Manufacturer of Industrial Pipe Fixing



Product Code: J-19 & K-20

Product Name: Pipe Clamp

Size: 1/2" - 2"

Coating: Painted or electro galvanized with and without P.V.C cover

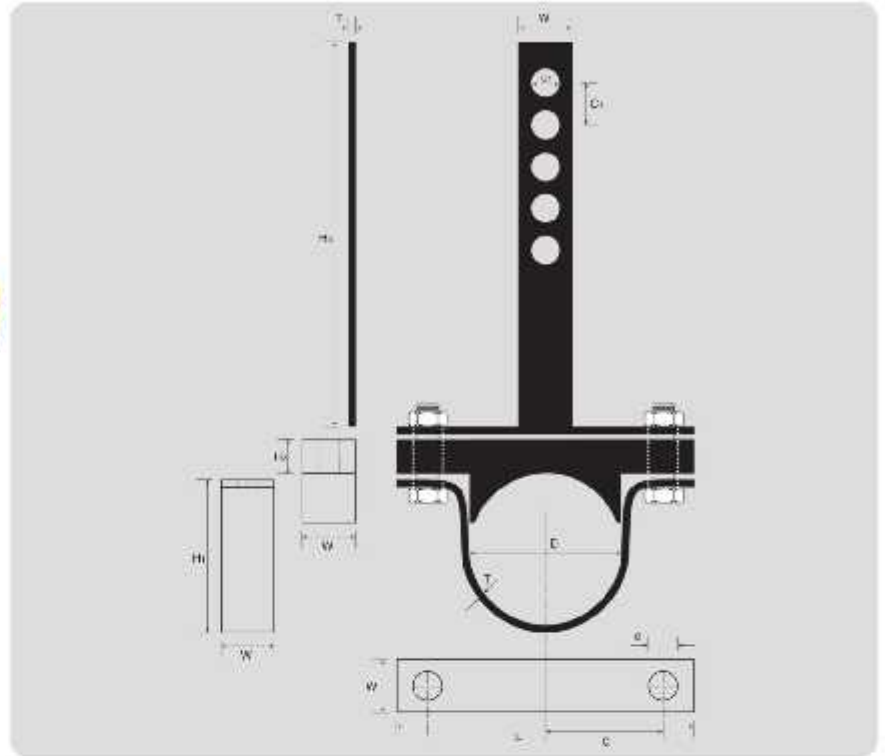
DIMENSION (mm) - J-19

Pipe size	D	d	H1	H2	H3	L1	L2	C1	C2	T1	T2	W1	Nut&Bolt
1/2 "	21.34	7	25	8	40	73	123	25	50	2	2.5	20	5 x 20
3/4 "	26.67	7	29	8	40	82	132	29	54	2	2.5	20	5 x 20
1 "	33.40	7	35	8	40	86	136	32	57	2	2.5	20	5 x 20
1 1/4 "	42.16	7	42	8	40	93	143	33	58	2	2.5	20	5 x 20
1 1/2 "	48.26	7	52	8	40	100	150	38	63	2	2.5	20	5 x 20
2 "	60.32	7	61	8	40	113	163	43	69	2	2.5	20	5 x 20

DIMENSION (mm) - K-20

Pipe size	D	d	H1	H2	H3	L1	L2	C1	C2	T1	T2	W1	Nut&Bolt
1/2 "	21.34	7	25	8	90	73	123	25	50	2	3	20	5 x 20
3/4 "	26.67	7	29	8	90	82	132	29	54	2	3	20	5 x 20
1 "	33.40	7	35	8	90	86	136	32	57	2	3	20	5 x 20
1 1/4 "	42.16	7	42	8	90	93	143	33	58	2	3	20	5 x 20
1 1/2 "	48.26	7	52	8	90	100	150	38	63	2	3	20	5 x 20
2 "	60.32	7	61	8	90	113	163	43	69	2	3	20	5 x 20

Manufacturer of Industrial Pipe Fixing



Product Code: L-21

Product Name: Pipe Clamp

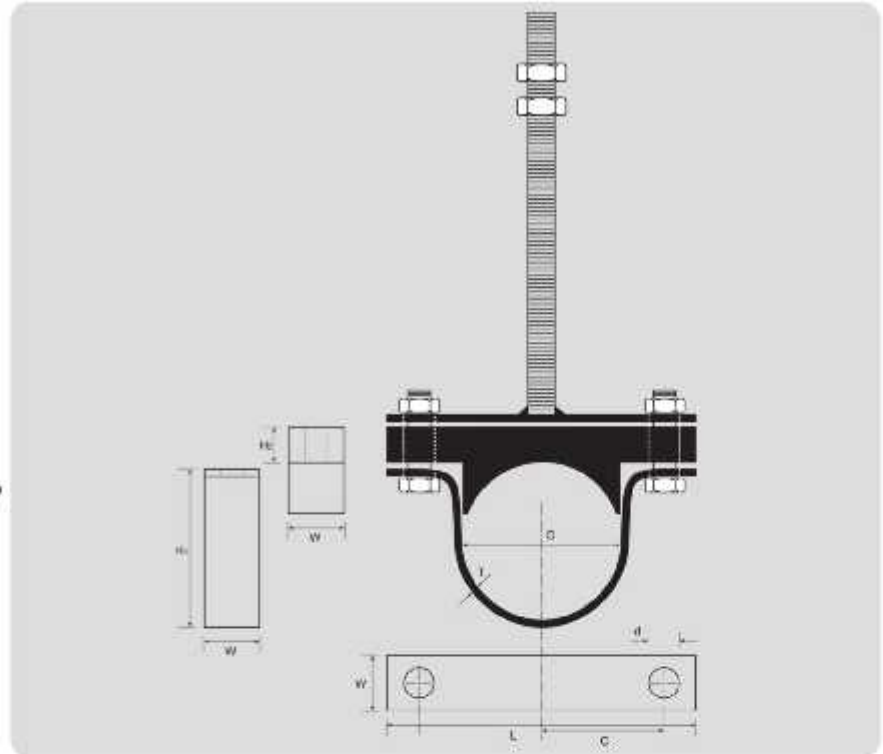
Size: 1/2 " - 8 "

Coating: Painted or electro galvanized with and without P.V.C cover

DIMENSION (mm)

Pipe size	D	d	d1	H1	H2	H3	L	C	C1	T	W	Nut&Bolt
1/2 "	21.34	7	9	25	8	250	116	49	20	2	20	5 x 20
3/4 "	26.67	7	9	29	8	250	126	58	20	2	20	5 x 20
1 "	33.40	7	9	35	8	250	129	63	20	2	20	5 x 20
1 1/4 "	42.16	7	9	42	8	250	142	66	20	2	20	5 x 20
1 1/2 "	48.26	7	9	52	8	250	142	76	20	2	20	5 x 20
2 "	60.32	7	9	61	8	250	153	86	20	2	20	5 x 20
2 1/2 "	73.02	9	9	77	8	250	185	107	20	2.3	24	8 x 25
3 "	88.90	9	9	91	8	250	199	120	20	2.3	24	8 x 25
4 "	114.30	9	9	112	8	250	220	141	20	2.3	24	8 x 25
	125	9	9	126	11	250	239	162	20	2.3	24	8 x 30
5 "	141.30	13	11	155	29	250	322	194	25	3.3	34	12 x 40
6 "	168.28	13	11	183	29	250	350	217	25	3.3	34	12 x 40
8 "	219.08	13	11	237	29	250	430	270	25	3.3	34	12 x 40

Manufacturer of Industrial Pipe Fixing



Product Code: M-22

Product Name: Pipe Clamp

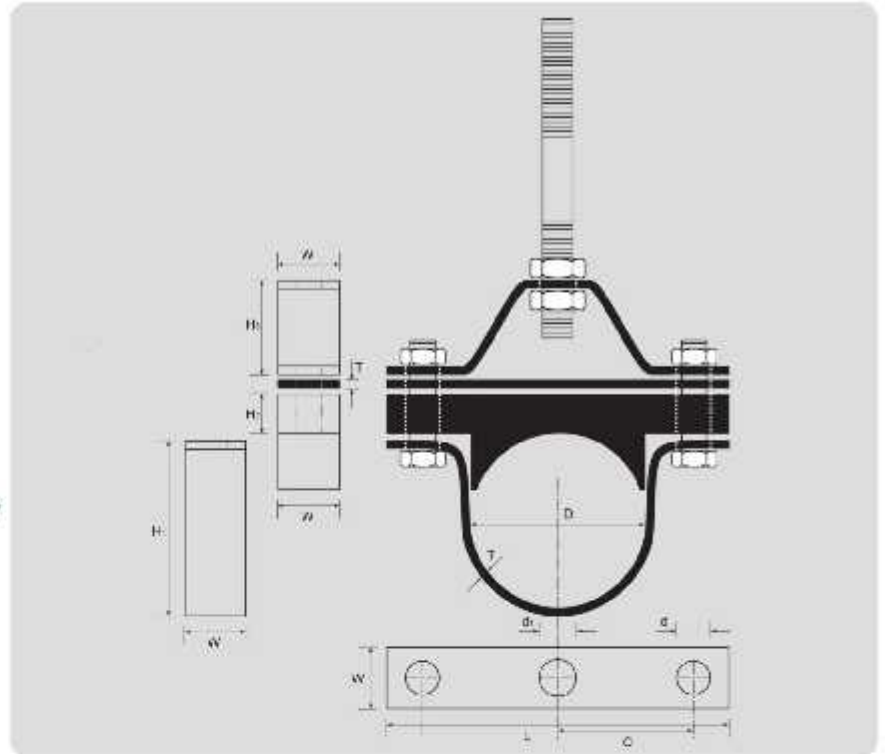
Size: 1/2 " - 8 "

Coating: Painted or electro galvanized with and without P.V.C cover

DIMENSION (mm)

Pipe size	D	d	H1	H2	L	C	T	W	Nut&Bolt	Rod
1/2 "	21.34	7	25	8	116	25	2	20	5 x 20	8 x 250
3/4 "	26.67	7	29	8	126	29	2	20	5 x 20	8 x 250
1 "	33.40	7	35	8	129	32	2	20	5 x 20	8 x 250
1 1/4 "	42.16	7	42	8	142	33	2	20	5 x 20	8 x 250
1 1/2 "	48.26	7	52	8	142	38	2	20	5 x 20	8 x 250
2 "	60.32	7	61	8	153	43	2	20	5 x 20	8 x 250
2 1/2 "	73.02	9	77	8	185	54	2.3	24	8 x 25	10 x 250
3 "	88.90	9	91	8	199	60	2.3	24	8 x 25	10 x 250
4 "	114.30	9	112	8	220	70	2.3	24	8 x 25	10 x 250
	125	9	126	11	239	81	2.3	24	8 x 30	10 x 250
5 "	141.30	13	155	29	322	97	3.3	34	12 x 40	12 x 250
6 "	168.28	13	183	29	350	109	3.3	34	12 x 40	12 x 250
8 "	219.08	13	237	29	430	135	3.3	34	12 x 40	12 x 250

Manufacturer of Industrial Pipe Fixing



Product Code: N-23

Product Name: Pipe Clamp

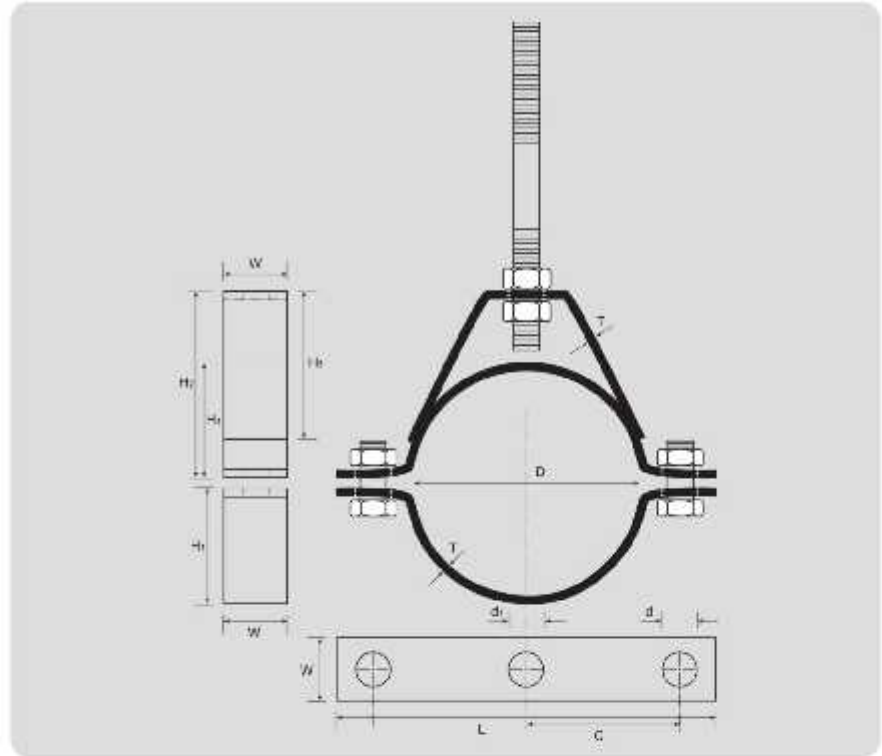
Size: 1/2 " - 8 "

Coating: Painted or electro galvanized with and without P.V.C cover

DIMENSION (mm)

Pipe size	D	d	d1	H1	H2	H3	L	C	T	W	Nut&Bolt	Rod
1/2	21.34	7	9	25	8	40	73	25	2	20	5 x 20	8 x 160
3/4 "	26.67	7	9	29	8	40	82	29	2	20	5 x 20	8 x 160
1 "	33.40	7	9	35	8	40	86	32	2	20	5 x 20	8 x 160
1 1/4 "	42.16	7	9	42	8	40	93	33	2	20	5 x 20	8 x 160
1 1/2 "	48.26	7	9	52	8	40	100	38	2	20	5 x 20	8 x 160
2 "	60.32	7	9	61	8	40	113	43	2	20	5 x 20	8 x 160
2 1/2 "	73.02	9	11	77	8	50	130	54	2.3	24	8 x 25	10 x 160
3 "	88.90	9	11	91	8	53	147	60	2.3	24	8 x 25	10 x 160
4 "	114.30	9	11	112	8	58	168	70	2.3	24	8 x 25	10 x 160
	125	9	11	126	11	61	184	81	2.3	24	8 x 30	10 x 160
5 "	141.30	13	14	155	29	81	224	97	3.3	34	12 x 40	12 x 160
6 "	168.28	13	14	183	29	90	253	109	3.3	34	12 x 40	12 x 160
8 "	219.08	13	14	237	29	123	305	135	3.3	34	12 x 40	12 x 160

Manufacturer of Industrial Pipe Fixing



Product Code: O-24

Product Name: Adjustable Hanger Clamp

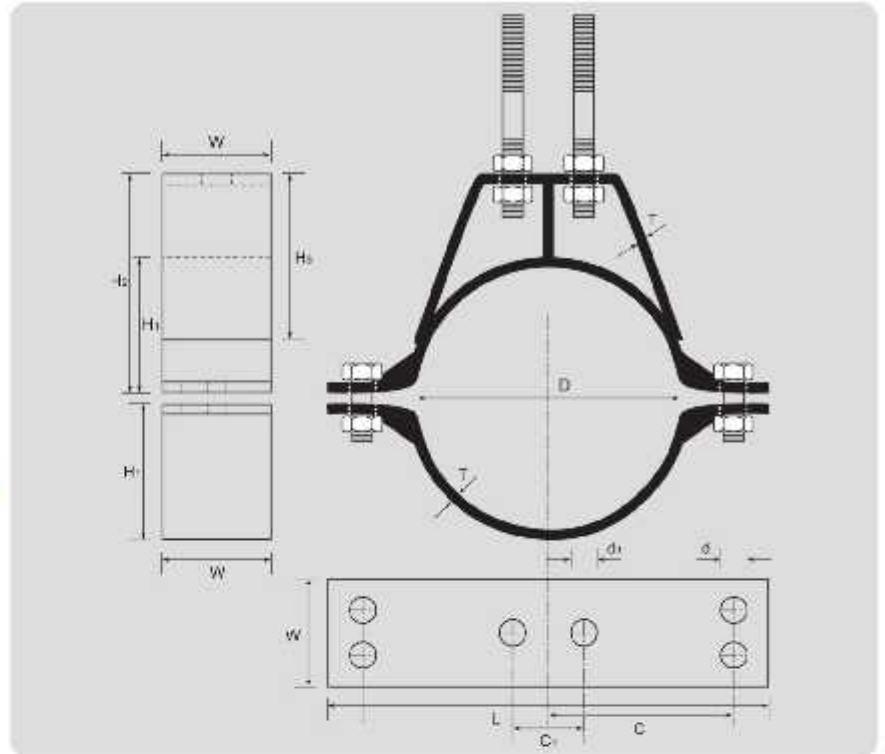
Size: 5" - 24"

Coating: Painted or electro galvanized with and without rubber

DIMENSION (mm)

Pipe size	D	d	d1	H1	H2	H3	L	C	T	W	Nut&Bolt	Rod
5 "	141.30	16	14	70	145	95	220	105	5	50	12 x 40	14 x 200
6 "	168.28	16	14	84	180	120	250	115	5	50	12 x 40	14 x 200
8 "	219.08	16	14	110	220	145	300	145	5	50	12 x 40	14 x 200
10 "	273.05	18	16	136	265	185	360	175	6	60	14 x 40	16 x 200
12 "	323.85	18	16	162	300	210	410	200	6	60	14 x 40	16 x 200
14 "	355.60	20	18	178	325	235	450	215	8	80	14 x 40	18 x 250
16 "	406.40	20	18	203	355	260	515	250	8	80	16 x 50	18 x 250
18 "	457.20	20	18	229	390	285	565	275	8	80	16 x 50	18 x 250
20 "	508.00	22	20	254	450	315	620	300	10	100	18 x 60	20 x 250
22 "	558.80	26	24	279	495	340	670	325	10	100	24 x 70	24 x 250
24 "	609.60	26	24	305	550	365	720	350	10	100	24 x 70	24 x 250

Manufacturer of Industrial Pipe Fixing



Product Code: P-25

Product Name: Adjustable Hanger Clamp

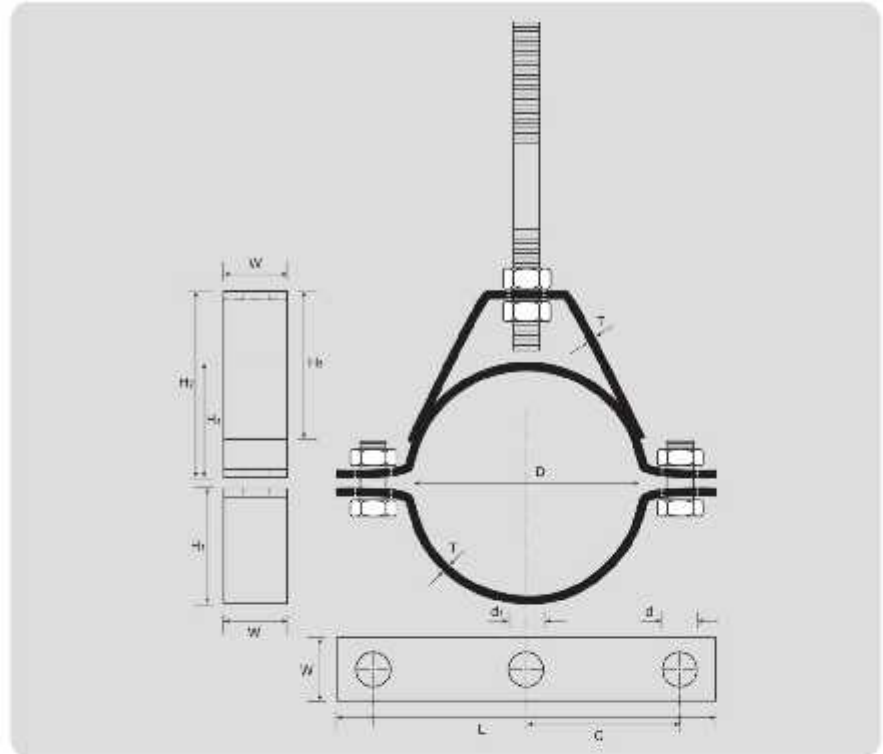
Size: 18 " - 36 "

Coating: Painted or electro galvanized with and without rubber

DIMENSION (mm)

Pipe size	D	d	d1	H1	H2	H3	L	C	C1	T	W	Nut&Bolt	Rod
18 "	457.20	30	28	230	359	279	750	320	130	10	110	24 x 70	24 x 250
20 "	508.00	30	28	255	384	304	870	365	140	10	130	24 x 70	24 x 250
22 "	558.80	30	28	280	420	340	930	395	150	10	130	24 x 70	24 x 250
24 "	609.60	30	28	305	455	375	980	420	160	10	130	24 x 70	24 x 250
26 "	660.40	35	28	330	490	410	1030	445	170	15	150	26 x 90	24 x 250
28 "	711.20	35	28	355	516	416	1080	470	180	15	150	26 x 90	24 x 250
30 "	762.00	35	28	381	551	451	1190	515	200	15	150	26 x 90	24 x 250
32 "	812.80	35	28	406	576	476	1280	560	210	15	150	26 x 90	24 x 250
34 "	863.60	35	28	432	612	512	1340	590	220	15	150	26 x 90	24 x 250
36 "	914.40	35	28	457	638	538	1390	615	230	15	150	26 x 90	24 x 250

Manufacturer of Industrial Pipe Fixing



Product Code: R-27

Product Name: Adjustable Hanger Clamp

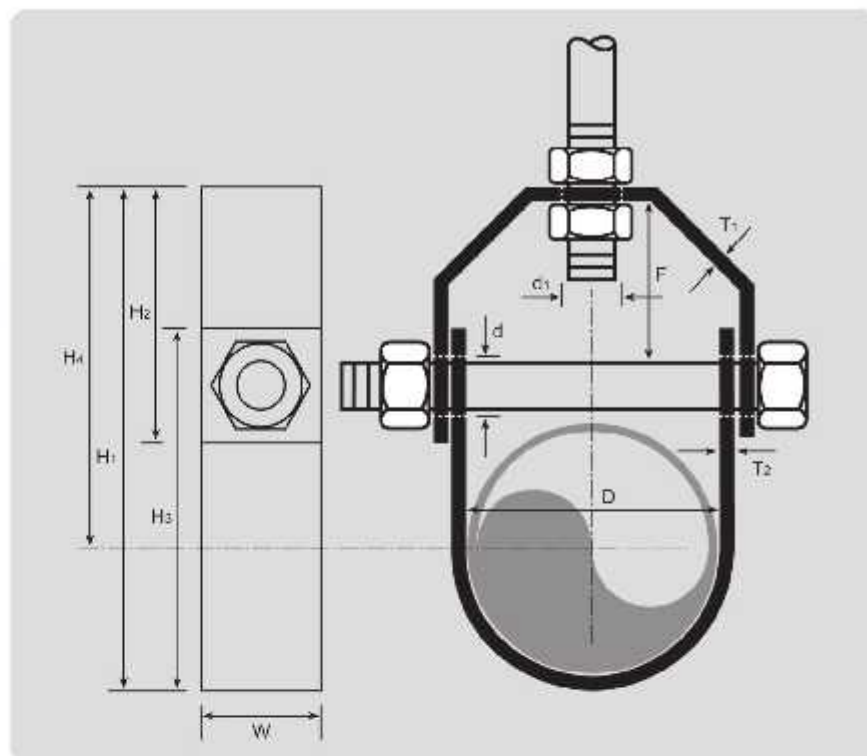
Size: 1 1/2" - 12"

Coating: Painted or electro galvanized with and without P.V.C cover

DIMENSION (mm)

Pipe size	D	d	d1	H1	H2	H3	L	C	T	W	Nut&Bolt	Rod
1 1/2 "	48.26	13	13	25	52	40	125	45	3	34	12 x 30	12 x 160
2 "	60.32	13	13	31	60	40	137	50	3	34	12 x 30	12 x 160
2 1/2 "	73.02	13	13	37	75	50	149	57	3	34	12 x 30	12 x 160
3 "	88.90	13	13	45	84	50	165	65	3	34	12 x 30	12 x 160
4 "	114.30	13	13	57	98	85	190	77	3	34	12 x 30	12 x 160
	125	13	13	63	108	90	200	83	3	34	12 x 30	12 x 160
5 "	141.30	13	13	71	120	100	220	91	4	34	12 x 40	12 x 160
6 "	168.28	13	13	84	140	115	246	105	4	34	12 x 40	12 x 160
8 "	219.08	13	13	110	174	155	297	130	4	34	12 x 40	12 x 160
10 "	273.05	13	13	136	200	175	350	157	4	34	12 x 40	12 x 160
12 "	323.85	13	13	162	228	175	405	183	4	34	12 x 40	12 x 160

Manufacturer of Industrial Pipe Fixing



Product Code: R-27A

Product Name: Clevis Hanger Clamp

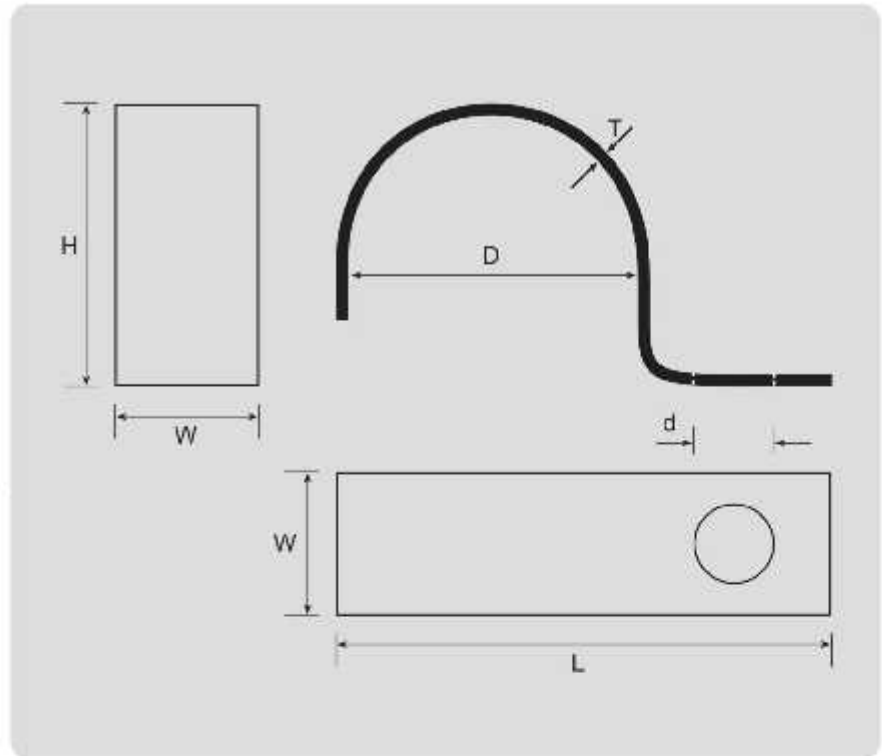
Size: 1 " - 36 "

Coating: Painted or electro galvanized with and without P.V.C cover or rubber.

DIMENSION (mm)

Pipe size	D	d	d1	H1	H2	H3	H4	F	T1	T2	W	Nut&Bolt
1 "	33.40	8	12	95	64	55	80	40	3	3	34	6 x 65
1 1/4 "	42.16	8	12	105	66	65	84	40	3	3	34	6 x 75
1 1/2 "	48.26	8	12	115	66	71	90	40	3	3	34	6 x 80
2 "	60.32	8	12	120	66	83	92	40	3	3	34	6 x 95
2 1/2 "	73.02	12	16	155	81	100	120	50	4	4	34	10 x 115
3 "	88.90	12	16	165	81	116	120	50	4	4	34	10 x 130
4 "	114.30	12	16	195	86	146	140	50	4	4	34	10 x 160
5 "	141.30	14	18	225	90	175	155	50	6	5	50	12 x 175
6 "	168.28	14	18	250	95	207	170	50	6	5	50	12 x 215
8 "	219.08	14	18	315	100	258	210	55	6	5	50	12 x 270
10 "	273.05	18	22	380	111	321	245	55	8	6	60	16 x 340
12 "	323.85	18	22	440	121	372	280	65	8	6	60	16 x 390
14 "	355.60	18	22	495	136	404	317	80	8	6	60	16 x 430
16 "	406.40	20	24	584	145	462	381	80	10	8	60	18 x 480
18 "	457.20	20	24	644	155	512	411	90	10	8	60	18 x 535
20 "	508.00	24	28	700	174	577	440	90	15	10	75	22 x 610
22 "	558.80	24	28	760	184	628	470	100	15	10	75	22 x 660
24 "	609.60	33	33	820	200	695	500	100	15	10	75	30 x 710
26 "	660.40	33	33	880	210	745	530	110	15	10	75	30 x 770
28 "	711.20	33	33	940	215	796	575	110	20	10	75	30 x 820
30 "	762.00	33	33	1000	225	847	615	120	20	10	75	30 x 865
32 "	812.80	33	33	1060	225	898	635	120	20	10	75	30 x 910
34 "	863.60	33	33	1120	245	949	670	140	20	10	75	30 x 970
36 "	914.40	33	33	1180	245	1000	700	140	20	10	75	30 x 935

Manufacturer of Industrial Pipe Fixing



Product Code: S-28

Product Name: One Hole Clamp

Size: 1/2" - 8"

Coating: Painted or electro galvanized

DIMENSION (mm)

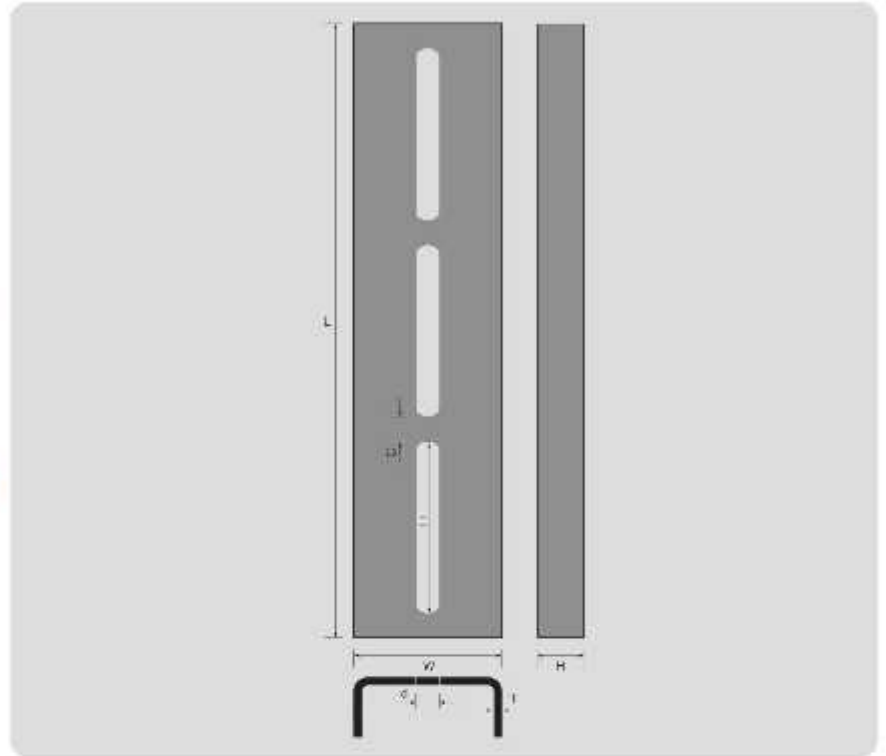
Pipe size	D	d	H	L	T	W
1/2 "	21.34	7	22	42	2	20
3/4 "	26.67	7	27	47	2	20
1 "	33.40	7	33	54	2	20
1 1/4 "	42.16	7	42	63	2	20
1 1/2 "	48.26	7	48	70	2	20
2 "	60.32	7	60	80	2	20

Pipe size	D	d	H	L	T	W
1/2 "	21.34	9	22	45	2.5	24
3/4 "	26.67	9	27	50	2.5	24
1 "	33.40	9	33	58	2.5	24
1 1/4 "	42.16	9	42	67	2.5	24
1 1/2 "	48.26	9	48	73	2.5	24
2 "	60.32	9	60	85	2.5	24
2 1/2 "	73.02	9	73	97	2.5	24
3 "	88.90	9	89	115	2.5	24
4 "	114.30	9	114	140	2.5	24

Pipe size	D	d	H	L	T	W
3/4 "	26.67	13	29	61	3.5	34
1 "	33.40	13	37	68	3.5	34
1 1/4 "	42.16	13	47	77	3.5	34
1 1/2 "	48.26	13	52	83	3.5	34
2 "	60.32	13	64	95	3.5	34
2 1/2 "	73.02	13	77	107	3.5	34
3 "	88.90	13	92	124	3.5	34
4 "	114.30	13	118	149	3.5	34
5 "	141.30	13	145	176	3.5	34
6 "	168.28	13	172	203	3.5	34
8 "	219.08	13	225	254	3.5	34

Pipe size	D	d	H	L	T	W
1 "	33.40	13	37	74	4	40
1 1/4 "	42.16	13	46	83	4	40
1 1/2 "	48.26	13	52	89	4	40
2 "	60.32	13	64	101	4	40
2 1/2 "	73.02	13	77	113	4	40
3 "	88.90	13	93	129	4	40
4 "	114.30	13	119	155	4	40
5 "	141.30	13	146	182	4	40
6 "	168.28	13	173	209	4	40
8 "	219.08	13	223	259	4	40

Manufacturer of Industrial Pipe Fixing



Product Code: T-29

Product Name: Rail

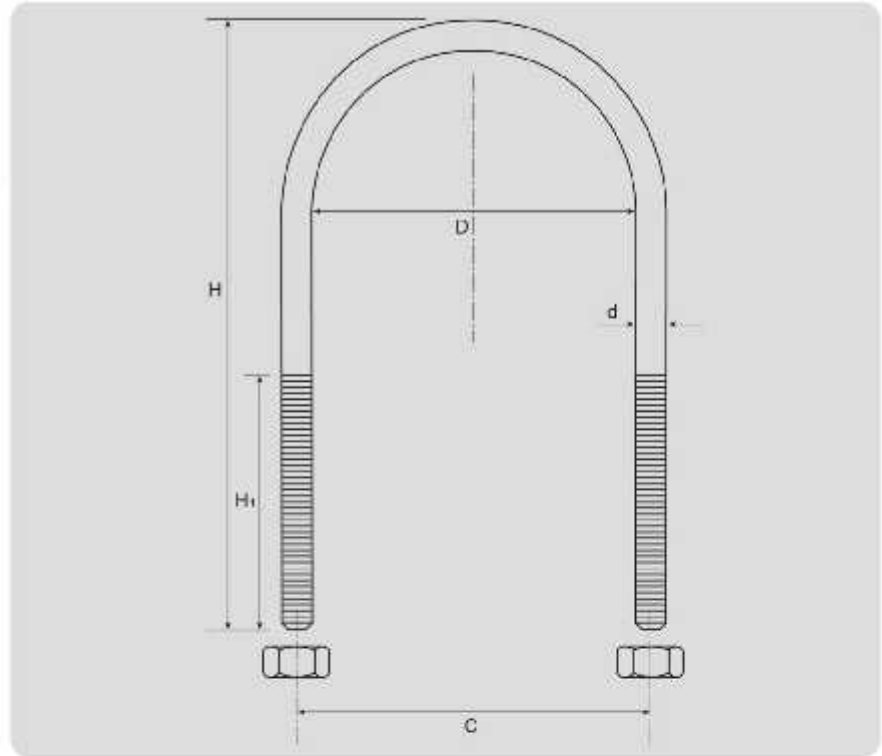
Size: 250 mm - 2000 mm

Coating: Painted or electro galvanized

DIMENSION (mm)

d	H	L	L1	C	T	W
65	20	250~2000	70	10	2	66

Manufacturer of Industrial Pipe Fixing



Product Code: U-30A

Product Name: U - Bolt

Size: 1/2 " - 36 "

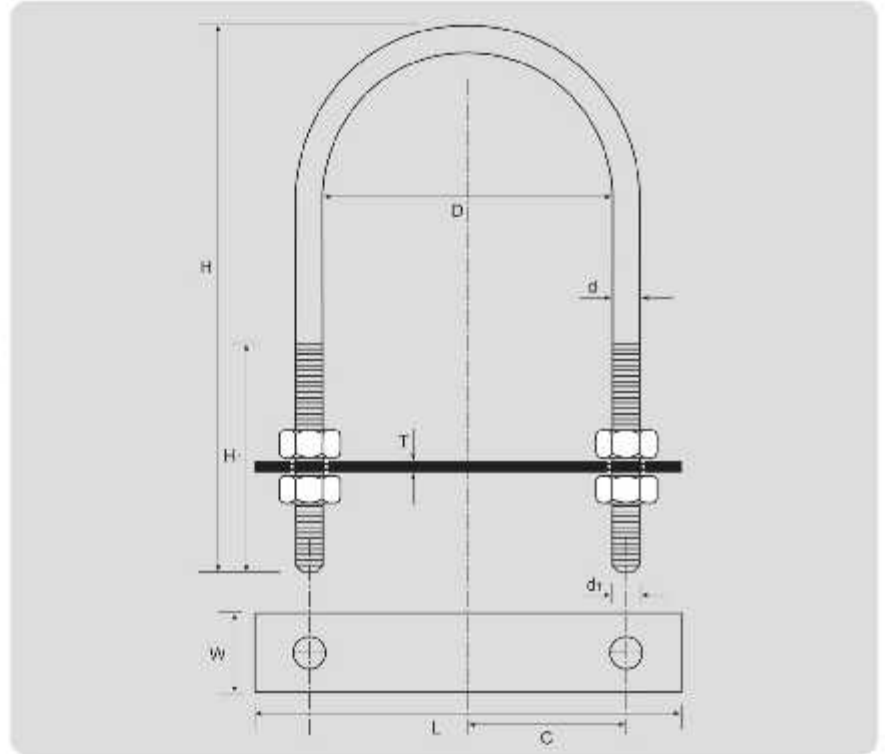
Coating: Electro galvanized with and without rubber

DIMENSION (mm)

Pipe size	D	d	H	H1	C
1/2 "	21.34	6	77	57	32
3/4 "	26.67	6	85	63	37
1 "	33.40	6	93	67	44
1 1/4 "	42.16	8	100	68	55
1 1/2 "	48.26	8	107	72	61
2 "	60.32	8	118	75	73
2 1/2 "	73.02	10	142	80	89
3 "	88.90	10	155	80	105
4 "	114.30	10	192	95	131
5 "	141.30	12	220	95	160
6 "	168.28	12	246	95	187
8 "	219.08	12	307	110	237
10 "	273.05	12	359	110	293

Pipe size	D	d	H	H1	C
12 "	323.85	12	419	125	344
14 "	355.85	16	454	125	382
16 "	406.40	16	510	130	433
18 "	457.20	16	575	155	484
20 "	508.00	20	630	155	548
22 "	558.80	20	688	160	599
24 "	609.60	20	745	180	650
26 "	660.40	24	800	180	700
28 "	711.20	24	850	180	755
30 "	762.00	30	910	180	812
32 "	812.80	30	972	200	862
34 "	863.60	36	1030	200	920
36 "	914.40	36	1080	200	971

Manufacturer of Industrial Pipe Fixing



Product Code: U-30B & U-30C

Product Name: U - Bolt with Plate

Size: 1/2 " - 36 "

Coating: Electro galvanized

DIMENSION (mm) - Plate

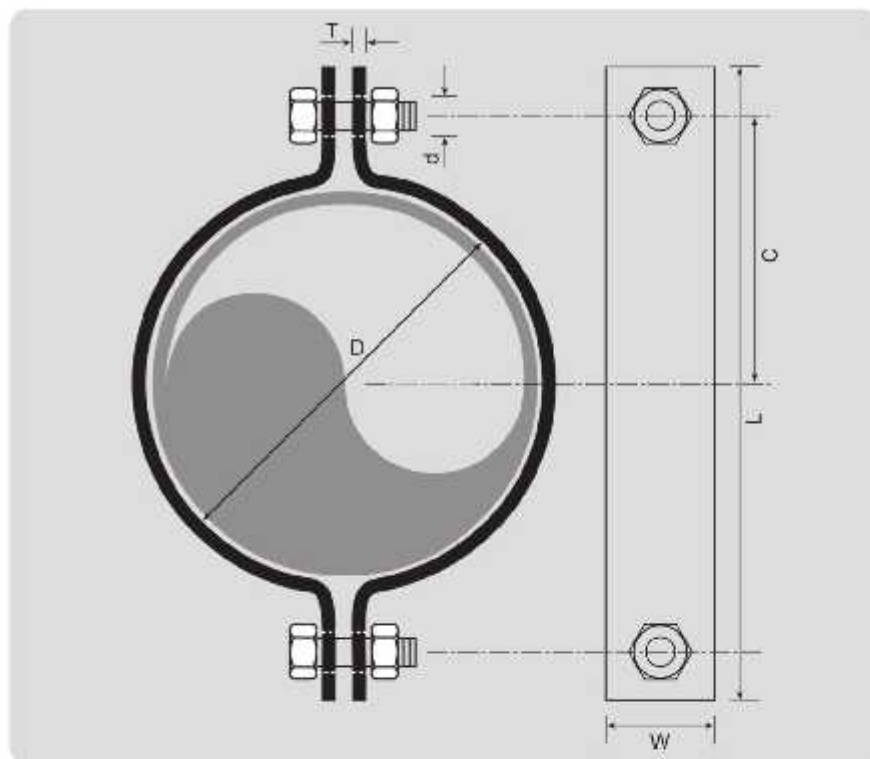
Pipe size	d1	L	C	T	W
1/2 "	8	87	32	6	50
3/4 "	8	93	37	6	50
1 "	8	98	44	6	50
1 1/4 "	10	105	55	6	50
1 1/2 "	10	113	61	6	50
2 "	10	133	73	6	50
2 1/2 "	12	146	89	8	60
3 "	12	163	105	8	60
4 "	12	189	131	8	60
5 "	15	228	160	8	60
6 "	15	253	187	8	60
8 "	15	306	237	8	60
10 "	15	400	293	8	60

Pipe size	d1	L	C	T	W
12 "	15	410	344	10	70
14 "	20	456	382	10	70
16 "	20	507	433	10	70
18 "	20	558	484	10	70
20 "	24	622	548	10	70
22 "	24	673	599	12	80
24 "	24	724	650	12	80
26 "	28	789	700	12	80
28 "	28	840	755	12	80
30 "	35	906	812	12	80
32 "	35	957	862	15	90
34 "	40	1024	920	15	90
36 "	40	1075	971	15	90

NOTE:

Refer to page 21 for U - Bolt dimensions.

Manufacturer of Industrial Pipe Fixing



Product Code: V-31

Product Name: Two Half Clamp

Size: 1/4 " - 52 "

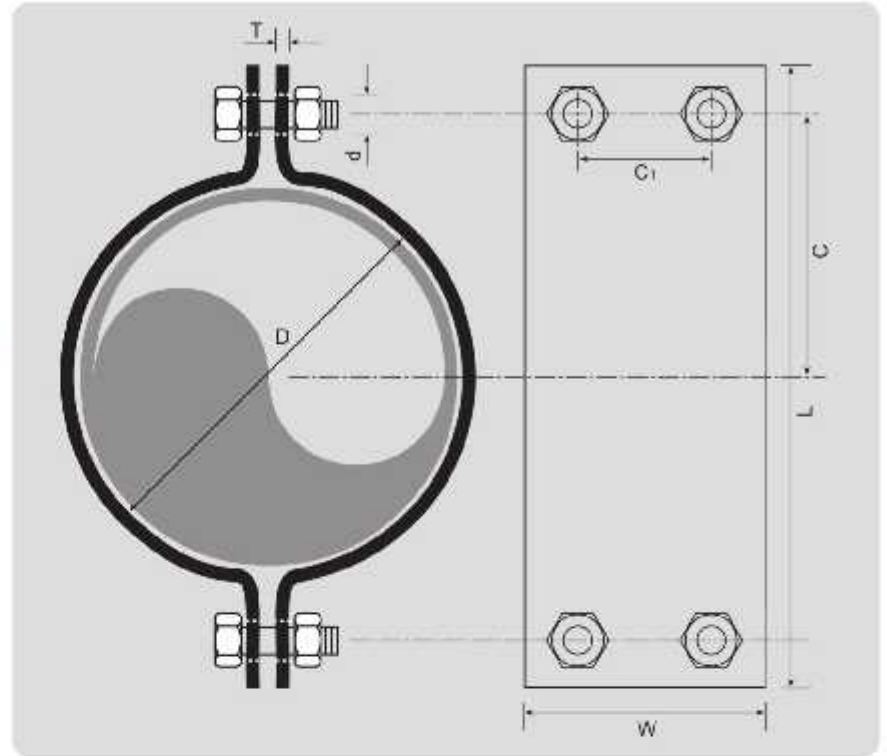
Coating: Painted or electro galvanized with and without rubber

DIMENSION (mm)

Pipe size	D	d	L	C	T	W	Nut&Bolt
1/4 "	13.72	8	70	20	2	24	6 x 25
3/8 "	17.14	8	76	23	2	24	6 x 25
1/2 "	21.34	10	84	27	2.5	24	8 x 25
3/4 "	26.67	10	96	33	2.5	24	8 x 25
1 "	33.40	10	102	36	2.5	24	8 x 25
1 1/4 "	42.16	10	112	41	2.5	24	8 x 30
1 1/2 "	48.26	10	118	44	2.5	24	8 x 30
2 "	60.32	10	144	54	2.5	24	8 x 30
2 1/2 "	73.02	12	158	61	3	34	10 x 35
3 "	88.90	12	172	68	3	34	10 x 35
4 "	114.30	12	226	89	3	34	10 x 35
5 "	141.30	14	252	102	3	34	12 x 40
6 "	168.28	14	280	116	3	34	12 x 40
8 "	219.08	14	332	142	3	34	12 x 40
10 "	273.05	14	408	174	4	40	12 x 40
12 "	323.05	14	450	199	4	40	12 x 40
14 "	355.60	14	492	216	5	50	12 x 40
16 "	406.40	14	570	249	5	50	12 x 40

Pipe size	D	d	L	C	T	W	Nut&Bolt
18 "	457.20	18	622	275	6	60	16 x 50
20 "	508.00	18	672	300	6	60	16 x 50
22 "	558.80	18	723	326	8	80	16 x 60
24 "	609.60	18	774	351	8	80	16 x 60
26 "	660.40	20	824	376	10	100	18 x 80
28 "	711.20	20	876	402	10	100	18 x 80
30 "	762.00	20	926	427	10	100	18 x 80
32 "	812.80	22	978	453	12	120	20x100
34 "	863.60	22	1030	479	12	120	20x100
36 "	914.40	22	1090	504	12	120	20x100
38 "	965.20	22	1130	529	12	120	20x100
40 "	1016.0	26	1180	554	15	150	24x100
42 "	1066.8	26	1230	579	15	150	24x100
44 "	1117.6	26	1284	606	15	150	24x100
46 "	1168.4	33	1334	631	20	200	30x100
48 "	1219.2	33	1384	656	20	200	30x100
50 "	1270.0	36	1434	681	25	250	32x120
52 "	1320.8	36	1484	706	25	250	32x120

Manufacturer of Industrial Pipe Fixing



Product Code: V-31A

Product Name: Heavy Two Half Clamp

Size: 1 1/4 " - 52 "

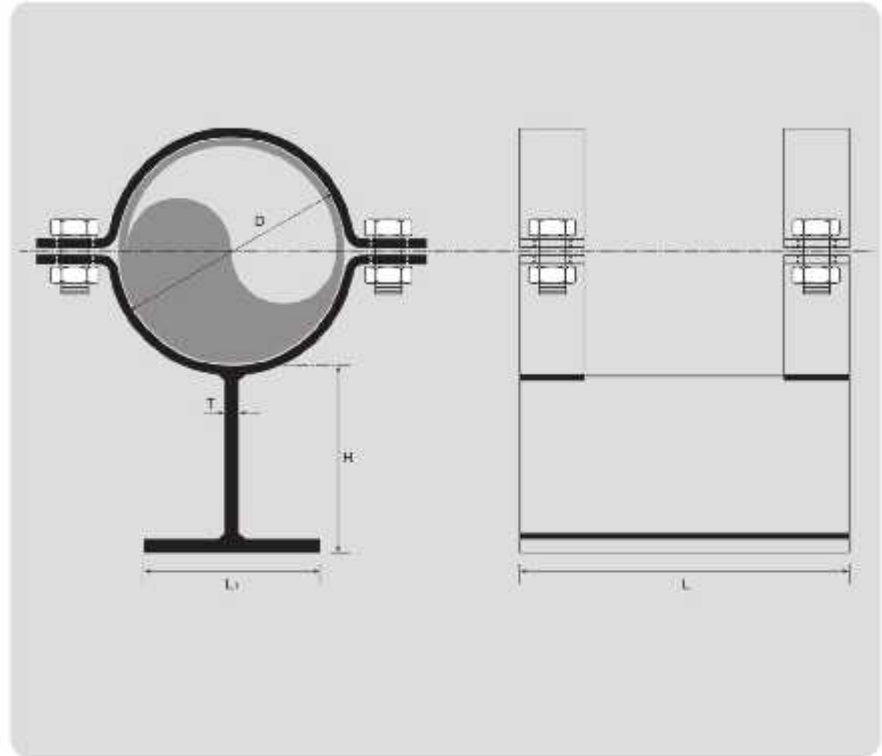
Coating: Painted or electro galvanized with and without rubber

DIMENSION (mm)

Pipe size	D	L	C	C1	T	W	Nut&Bolt
1 1/4 "	42.16	142	51	36	6	80	12 x 30
1 1/2 "	48.26	150	55	36	6	80	12 x 30
2 "	60.32	166	63	36	6	80	12 x 30
2 1/2 "	73.02	186	73	38	6	90	14 x 40
3 "	88.90	200	80	39	6	90	14 x 40
4 "	114.30	270	110	38	10	90	14 x 40
5 "	141.30	300	125	60	10	120	16 x 50
6 "	168.28	330	140	60	10	120	16 x 50
8 "	219.08	380	165	60	10	120	16 x 50
10 "	273.05	466	203	76	10	150	20 x 60
12 "	323.85	518	228	78	10	150	20 x 60
14 "	355.60	546	243	78	15	150	20 x 70
16 "	406.40	650	290	94	15	200	20 x 70
18 "	457.20	700	315	94	15	200	20 x 70
20 "	508.00	808	364	150	20	300	24x100
22 "	558.80	860	390	150	20	300	24x100

Pipe size	D	L	C	C1	T	W	Nut&Bolt
24 "	609.60	910	415	150	20	300	24x100
26 "	660.40	1000	450	150	20	300	24x100
28 "	711.20	1050	475	174	20	350	30x100
30 "	762.00	1100	500	174	20	350	30x100
32 "	812.80	1156	528	200	20	400	30x100
34 "	863.60	1300	585	200	25	400	32x120
36 "	914.40	1350	610	230	25	450	32x120
38 "	965.20	1400	635	230	25	450	32x120
40 "	1016.0	1450	660	260	25	500	32x120
42 "	1066.8	1500	685	260	25	500	32x120
44 "	1117.6	1550	710	270	25	550	36x120
46 "	1168.4	1600	735	270	25	550	36x120
48 "	1219.2	1650	760	256	25	600	36x120
50 "	1270.0	1704	787	256	25	600	36x120
52 "	1320.8	1754	812	256	25	600	36x120

Manufacturer of Industrial Pipe Fixing



Product Code: W-32

Product Name: Shoe Clamp

Size: 1/2 " - 18 "

Coating: Painted or electro galvanized with and without rubber

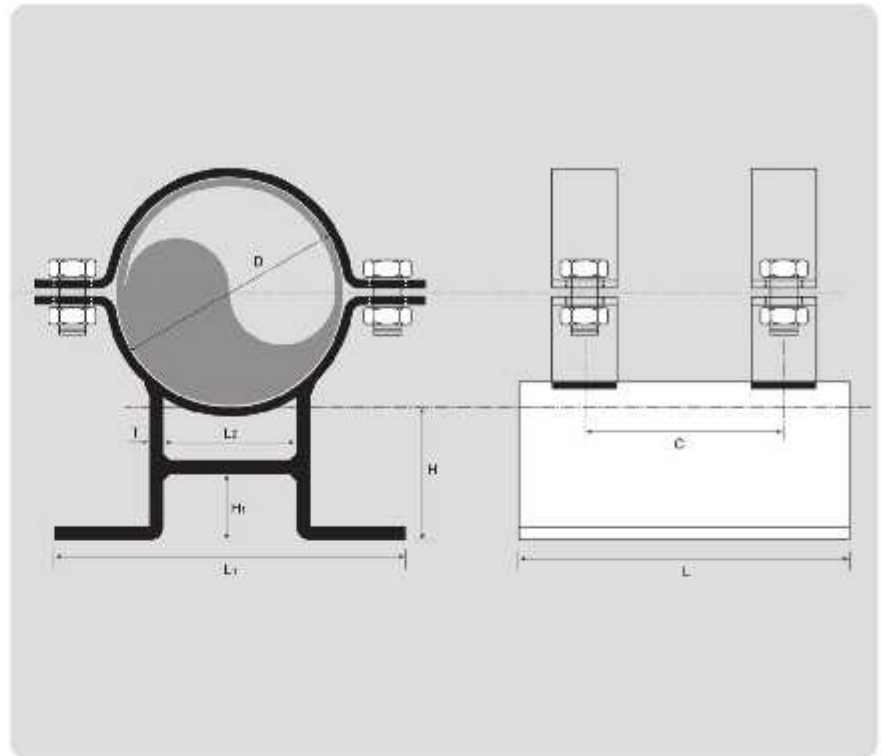
DIMENSION (mm)

Pipe size	D	H	L	L1	T
1/2 "	21.34	100	150	100	6
3/4 "	26.67	100	150	100	6
1 "	33.40	100	150	100	6
1 1/4 "	42.16	100	150	100	6
1 1/2 "	48.26	100	150	100	6
2 "	60.32	100	200	100	6
2 1/2 "	73.02	100	200	100	8
3 "	88.90	100	200	100	8
4 "	114.30	100	200	100	8
5 "	141.30	100	200	100	8
6 "	168.28	100	200	100	8
8 "	219.08	100	200	100	8
10 "	273.05	150	200	150	10
12 "	323.85	150	250	150	10
14 "	355.85	150	250	150	10
16 "	406.40	150	250	150	10
18 "	457.20	150	250	150	10

NOTE:

Refer to page 23 for Two Half Clamp dimensions.

Manufacturer of Industrial Pipe Fixing



Product Code: X-33A

Product Name: Shoe Clamp

Size: 8 " - 36 "

Coating: Painted or electro galvanized with and without rubber

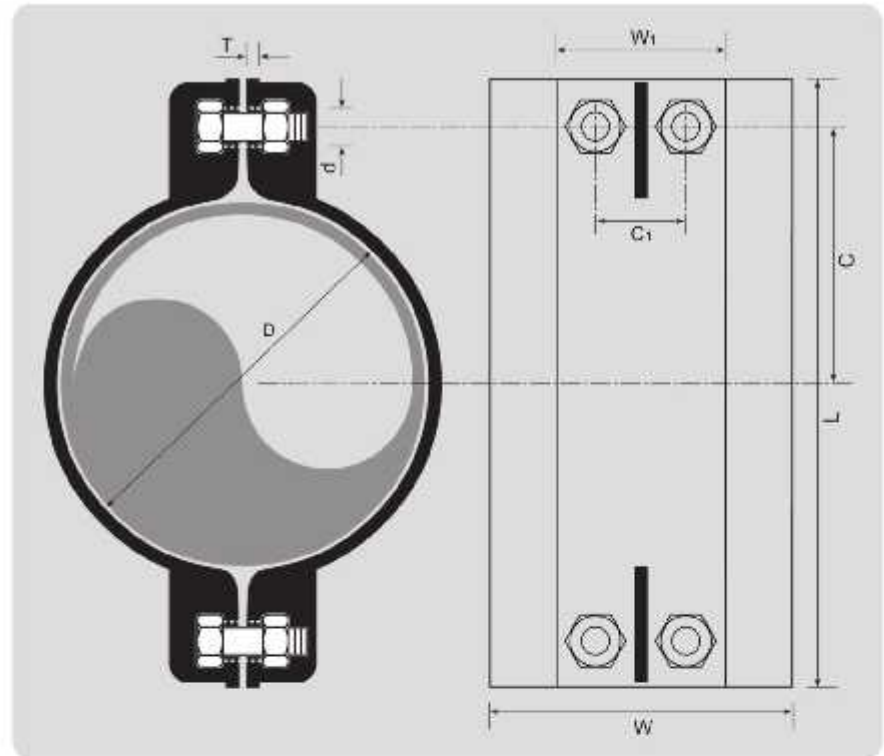
DIMENSION (mm)

Pipe size	D	H	H1	L	L1	L2	C	T
8 "	219.08	100	50	200	280	130	126	10
10 "	273.05	100	50	200	325	175	120	10
12 "	323.85	100	50	200	360	210	120	10
14 "	355.60	100	50	200	380	230	110	10
16 "	406.40	100	50	200	410	260	110	10
18 "	457.20	100	50	250	440	290	130	10
20 "	508.00	150	75	250	550	330	130	10
22 "	558.80	150	75	250	580	360	110	10
24 "	609.60	150	75	250	615	395	110	10
26 "	660.40	150	75	300	650	430	140	10
28 "	711.20	150	75	300	680	460	140	10
30 "	762.00	200	100	300	715	495	140	10
32 "	812.80	200	100	350	750	530	170	10
34 "	863.60	200	100	350	780	560	170	10
36 "	914.40	200	100	350	815	594	170	10

NOTE:

Refer to page 23 for Two Half Clamp dimensions.

Manufacturer of Industrial Pipe Fixing



Product Code: X-33B

Product Name: Heavy Two Half Clamp

Size: 2" - 52"

Coating: Painted or electro galvanized with and without rubber

DIMENSION (mm)

Pipe size	D	L	C	C1	T	W	Nut&Bolt
2 "	60.32	166	63	-	6	80	12 x 30
2 1/2 "	73.02	186	73	-	6	90	14 x 40
3 "	88.90	200	80	-	6	90	14 x 40
4 "	114.30	270	110	-	10	90	14 x 40
5 "	141.30	300	125	-	10	120	16 x 50
6 "	168.28	330	140	-	10	120	16 x 50
8 "	219.08	380	165	-	10	120	16 x 50
10 "	273.05	466	203	-	10	150	20 x 60
12 "	323.85	516	228	-	10	150	20 x 60
14 "	355.60	546	243	-	15	150	20 x 70
18 "	406.40	650	290	-	15	200	20 x 70
18 "	457.20	700	315	-	15	200	20 x 70
20 "	508.00	808	364	44	20	300	24x100
22 "	558.80	860	390	44	20	300	24x100
24 "	609.60	910	415	44	20	300	24x100

Pipe size	D	L	C	C1	T	W	Nut&Bolt
26 "	660.40	1000	450	44	20	300	24x100
28 "	711.20	1050	475	50	20	350	30x100
30 "	762.00	1100	500	50	20	350	30x100
32 "	812.80	1156	528	50	20	350	30x100
34 "	863.60	1300	585	65	25	400	32x120
36 "	914.40	1350	610	65	25	400	32x120
38 "	965.20	1400	635	72	25	450	32x120
40 "	1016.0	1450	660	72	25	450	32x120
42 "	1066.8	1500	685	89	25	500	32x120
44 "	1117.6	1550	710	89	25	500	32x120
46 "	1168.4	1600	735	91	25	550	36x120
48 "	1219.2	1650	760	91	25	550	36x120
50 "	1270.0	1704	787	98	25	600	36x120
52 "	1320.8	1754	812	98	25	600	36x120

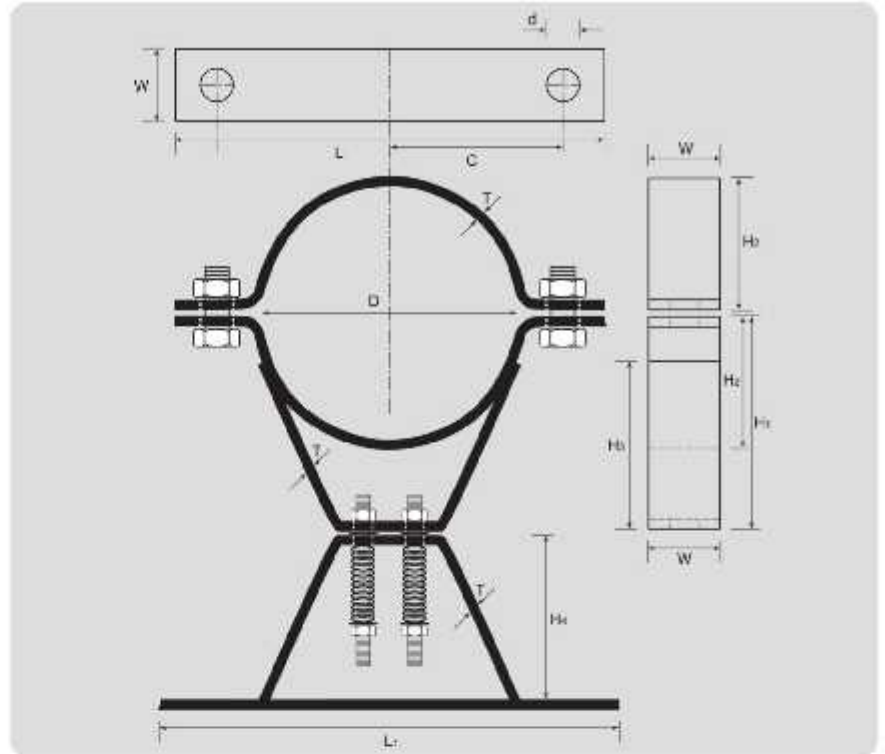
NOTE:

1- $W1 = 1/3 W$

2- 2" to 18" supplied with two nuts & bolts.

3- 20" to 52" supplied with four nuts & bolts.

Manufacturer of Industrial Pipe Fixing



Product Code: Y-34A

Product Name: Spring Hanger Clamp

Size: 6 " - 36 "

Coating: Painted or electro galvanized

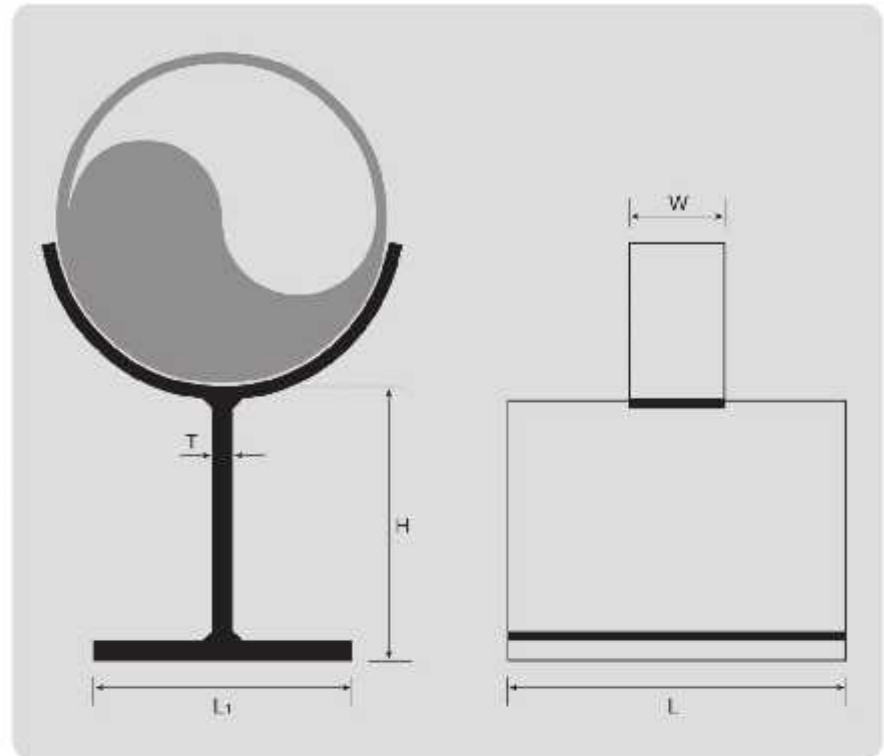
DIMENSION (mm)

Pipe size	D	d	H1	H2	H3	H4	L	L1	C	T	W	Nut&Bolt
6 "	168.28	16	180	84	120	120	250	300	105	5	50	12 x 40
8 "	219.08	16	220	110	145	145	300	350	145	5	50	12 x 40
10 "	273.05	18	265	136	185	185	360	410	175	6	60	14 x 40
12 "	323.85	18	300	162	210	210	410	460	200	6	60	14 x 40
14 "	355.60	20	325	178	235	235	450	510	215	8	80	14 x 40
16 "	406.40	20	355	203	260	260	515	565	250	8	80	16 x 50
18 "	457.20	20	390	229	285	285	565	615	275	8	80	16 x 50
20 "	508.00	22	450	254	315	315	620	670	300	10	100	18 x 60
22 "	558.80	26	495	279	340	340	670	770	325	10	100	24 x 70
24 "	609.60	26	550	305	365	365	720	820	350	10	100	24 x 70
26 "	660.40	35	500	330	410	410	1030	1130	445	15	150	26 x 90
28 "	711.20	35	520	355	416	416	1080	1180	470	15	150	26 x 90
30 "	782.00	35	550	381	451	451	1190	1290	515	15	150	26 x 90
32 "	812.80	35	580	406	476	476	1280	1380	560	15	150	26 x 90
34 "	863.60	35	610	432	512	512	1340	1440	590	15	150	26 x 90
36 "	914.40	35	640	457	538	538	1390	1490	615	15	150	26 x 90

NOTE:

Springs and Rods supplied depending on the order.

Manufacturer of Industrial Pipe Fixing



Product Code: Y-34B

Product Name: Sliding Shoe

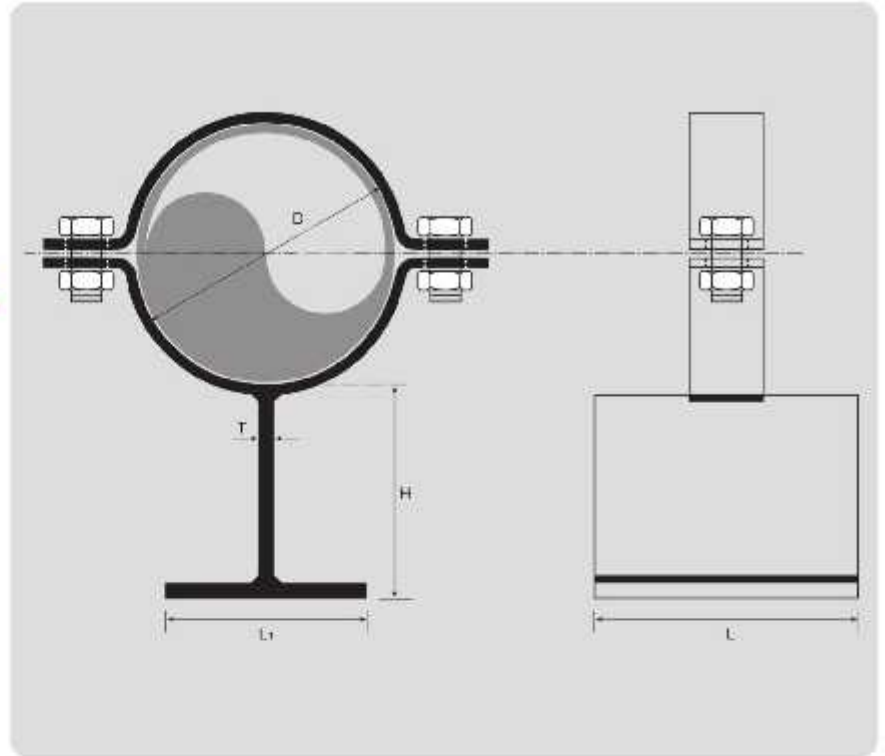
Size: 1/2 " - 8 "

Coating: Painted or electro galvanized

DIMENSION (mm)

Pipe size	D	H	L	L1	T	W
1/2 "	21.34	100	150	100	6	50
3/4 "	26.67	100	150	100	6	50
1 "	33.40	100	150	100	6	50
1 1/4 "	42.16	100	150	100	6	50
1 1/2 "	48.26	100	150	100	6	50
2 "	60.32	100	200	100	6	60
2 1/2 "	73.02	100	200	100	8	60
3 "	88.90	100	200	100	8	60
4 "	114.30	100	200	100	8	60
5 "	141.30	100	200	100	8	60
6 "	168.28	100	200	100	8	60
8 "	219.08	100	200	100	8	60

Manufacturer of Industrial Pipe Fixing



Product Code: Y-34D

Product Name: Shoe Clamp

Size: 1/2 " - 8 "

Coating: Painted or electro galvanized with and without rubber

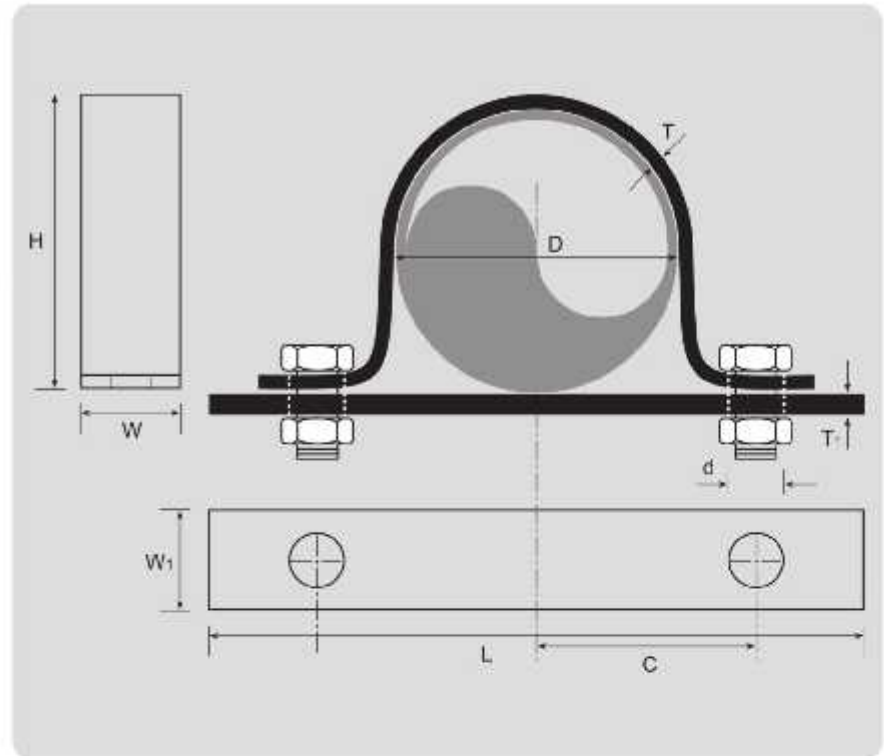
DIMENSION (mm)

Pipe size	D	H	L	L1	T
1/2 "	21.34	100	150	100	6
3/4 "	26.67	100	150	100	6
1 "	33.40	100	150	100	6
1 1/4 "	42.16	100	150	100	6
1 1/2 "	48.26	100	150	100	6
2 "	60.32	100	200	100	6
2 1/2 "	73.02	100	200	100	8
3 "	88.90	100	200	100	8
4 "	114.30	100	200	100	8
5 "	141.30	100	200	100	8
6 "	168.28	100	200	100	8
8 "	219.08	100	200	100	8

NOTE:

Refer to page 23 for Two Half Clamp dimensions.

Manufacturer of Industrial Pipe Fixing



Product Code: BS-1

Product Name: Polyethylene Base Plate Clamp

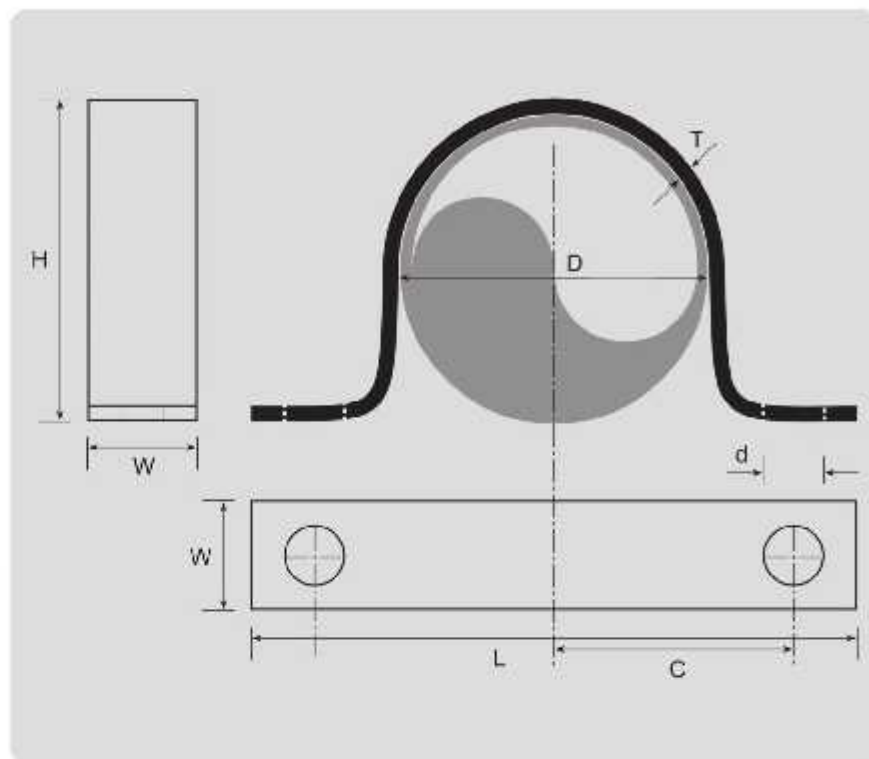
Size: 2" - 12"

Coating: Painted or electro galvanized with and without P.V.C cover

DIMENSION (mm)

Pipe size	D	d	H	L	C	T	T1	W	W1	Nut&Bolt
2"	60.32	10	65	135	43	2	5	20	60	8 x 25
2 1/2"	73.02	10	78	150	54	2.3	5	24	60	8 x 25
3"	88.90	10	94	170	60	2.3	5	24	60	8 x 25
4"	114.30	10	119	190	70	2.3	5	24	60	8 x 25
5"	141.30	14	148	250	97	3.3	10	34	60	12 x 40
6"	168.28	14	175	280	109	3.3	10	34	60	12 x 40
8"	219.08	14	226	330	135	3.3	10	34	60	12 x 40
10"	273.05	14	280	380	200	3.3	10	34	60	12 x 40
12"	323.85	14	331	430	226	3.3	10	34	60	12 x 40

Manufacturer of Industrial Pipe Fixing



Product Code: BS-2

Product Name: Pipe Clamp

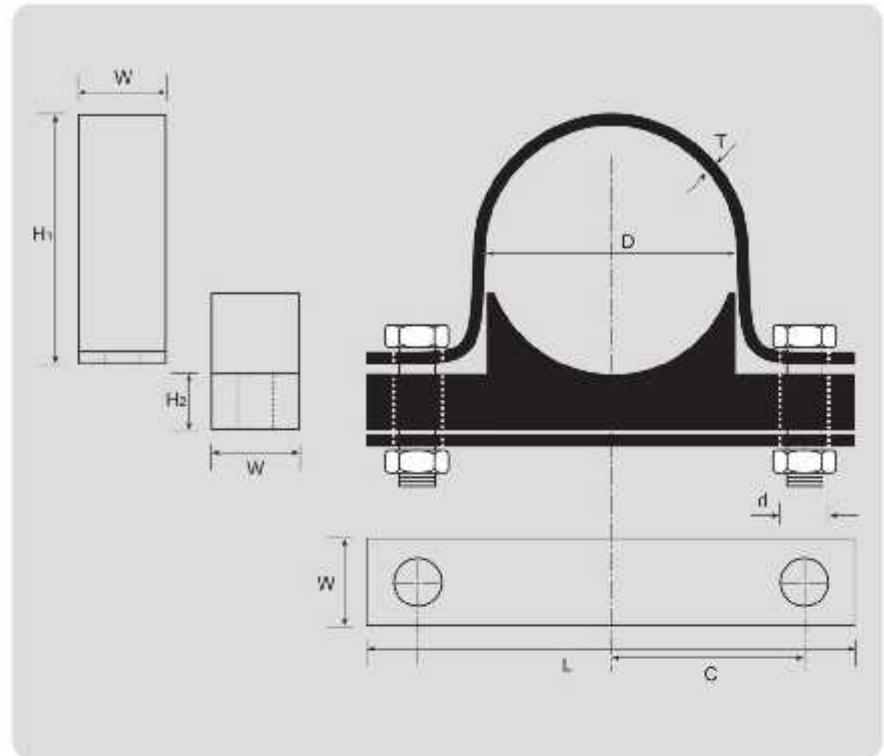
Size: 8 " - 36 "

Coating: Painted or electro galvanized

DIMENSION (mm)

Pipe size	D	d	H	L	C	T	W
8 "	219.08	22	235	400	170	8	50
10 "	273.05	22	289	450	195	8	50
12 "	323.85	22	344	500	220	10	50
14 "	355.60	22	375	540	240	10	50
16 "	406.40	24	426	600	265	10	60
18 "	457.20	24	477	660	295	10	60
20 "	508.00	24	528	710	320	10	60
22 "	558.80	24	589	760	345	15	60
24 "	609.60	24	639	790	365	15	80
28 "	711.20	28	741	890	415	15	80
30 "	762.00	28	792	950	445	15	80
32 "	812.80	30	853	1040	485	20	100
34 "	863.60	30	903	1090	510	20	100
36 "	914.40	30	954	1140	535	24	100

Manufacturer of Industrial Pipe Fixing



Product Code: BS-5

Product Name: Pipe Clamp

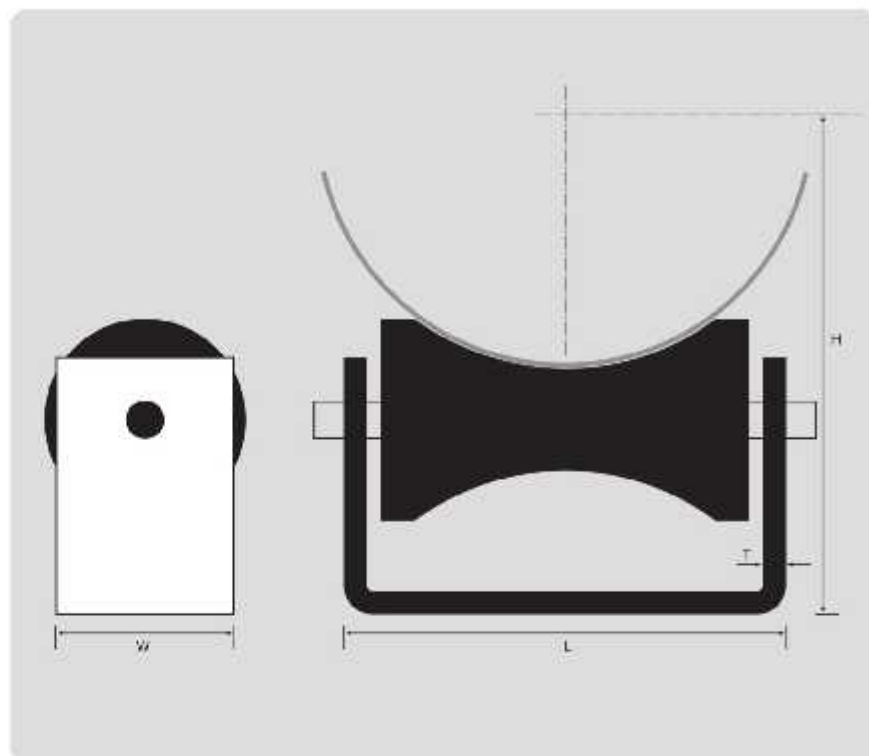
Size: 1/2 " - 8 "

Coating: Painted or electro galvanized with and without P.V.C cover

DIMENSION (mm)

Pipe size	D	d	H1	H2	L	C	T	W	Nut&Bolt
1/2 "	21.34	7	25	8	116	25	2	20	5 x 20
3/4 "	26.67	7	29	8	126	29	2	20	5 x 20
1 "	33.40	7	35	8	129	32	2	20	5 x 20
1 1/4 "	42.16	7	42	8	142	33	2	20	5 x 20
1 1/2 "	48.26	7	52	8	142	38	2	20	5 x 20
2 "	60.32	7	61	8	153	43	2	20	5 x 20
2 1/2 "	73.02	9	77	8	185	54	2.3	24	8 x 25
3 "	88.90	9	91	8	199	60	2.3	24	8 x 25
4 "	114.30	9	112	8	220	70	2.3	24	8 x 25
	125	9	126	11	239	81	2.3	24	8 x 30
5 "	141.30	13	155	29	322	97	3.3	34	12 x 40
6 "	168.28	13	183	29	350	109	3.3	34	12 x 40
8 "	219.08	13	237	29	430	135	3.3	34	12 x 40

Manufacturer of Industrial Pipe Fixing



Product Code: BS-7

Product Name: Pipe Roller

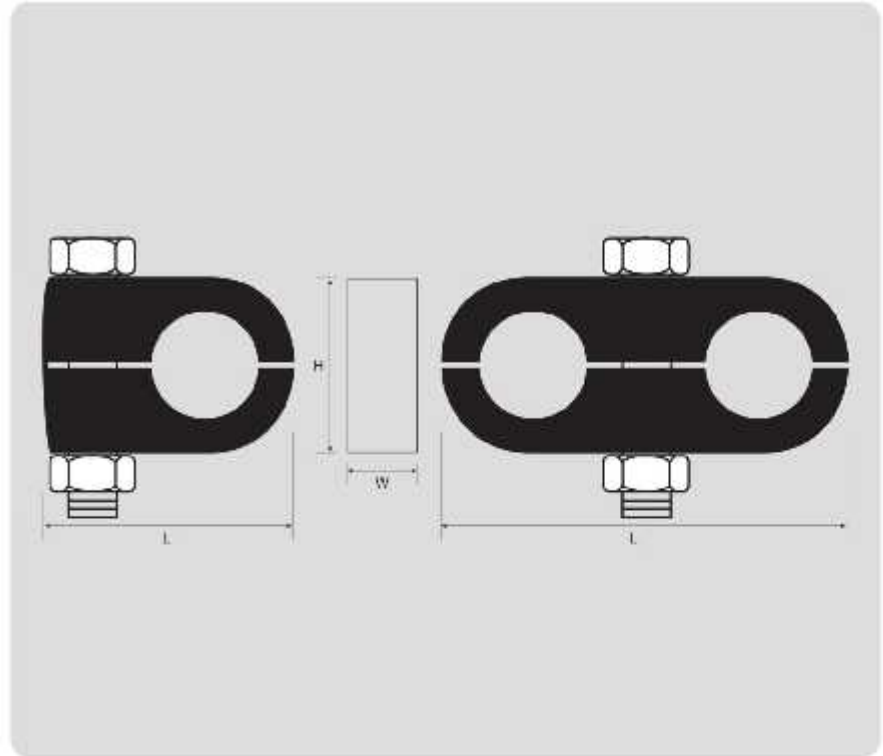
Size: 2" - 20"

Coating: Painted or electro galvanized

DIMENSION (mm)

Pipe size	D	H	L	T	W	LOAD CAPACITY kgf
2 "	60.32	95	115	15	80	175
2 1/2 "	73.02	101	115	15	80	175
3 "	88.90	111	115	15	80	175
4 "	114.30	133	150	20	90	425
5 "	141.30	149	150	20	90	425
6 "	168.28	164	150	20	90	425
8 "	219.08	209	210	20	115	950
10 "	273.05	238	210	20	115	950
12 "	323.85	276	275	25	135	1350
14 "	355.85	292	275	25	135	1350
16 "	406.40	328	320	25	165	2250
18 "	457.20	356	320	25	165	2250
20 "	508.00	385	320	25	165	2250

Manufacturer of Industrial Pipe Fixing



Product Code: BS-9

Product Name: Polyamid Tubing Clamp

Size: 1/4 " & 3/8 " & 1/2 "

DIMENSION (mm)

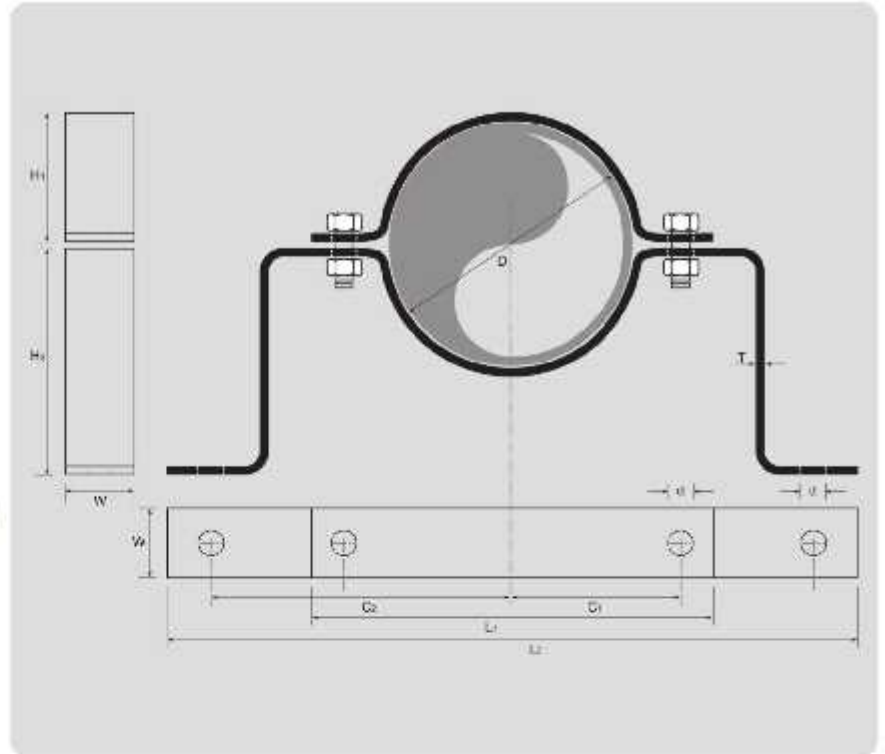
For One Hole Clamp

Pipe size	H	L	W	Nut&Bolt
1/4 "	14	22	14	6 x 25
3/8 "	17	27	14	6 x 30
1/2 "	24	33	14	6 x 40

For Double Hole Clamp

Pipe size	H	L	W	Nut&Bolt
1/4 "	14	31	14	6 x 25
3/8 "	17	40	14	6 x 30
1/2 "	24	52	14	6 x 40

Manufacturer of Industrial Pipe Fixing



Product Code: BS-11

Product Name: Heavy Clamp

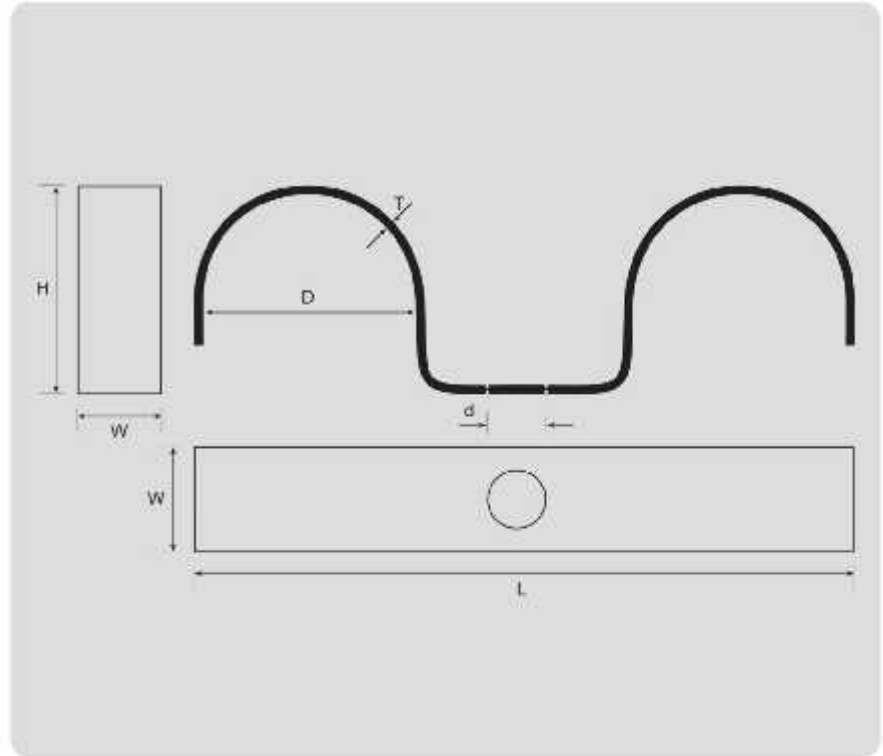
Size: 1/2 " - 8 "

Coating: Painted or electro galvanized

DIMENSION (mm)

Pipe size	D	d	H1	H2	L1	L2	C1	C2	T	W	Nut&Bolt
1/2 "	21.34	14	28	71	83	168	27	67	3.3	34	12 x 40
3/4 "	26.67	14	33	76	96	181	33	74	3.3	34	12 x 40
1 "	33.40	14	40	83	102	188	36	77	3.3	34	12 x 40
1 1/4 "	42.16	14	49	97	112	207	41	85	3.3	34	12 x 40
1 1/2 "	48.26	14	55	103	118	213	44	88	3.3	34	12 x 40
2 "	60.32	14	67	115	144	239	54	101	3.3	34	12 x 40
2 1/2 "	73.02	14	80	133	158	263	61	111	3.3	34	12 x 40
3 "	88.90	14	96	149	172	282	68	121	3.3	34	12 x 40
4 "	114.30	14	121	174	226	336	89	148	3.3	34	12 x 40
5 "	141.30	14	148	211	252	383	102	169	3.3	34	12 x 40
6 "	168.28	14	175	238	280	410	116	183	3.3	34	12 x 40
8 "	219.08	14	226	289	332	462	142	209	3.3	34	12 x 40

Manufacturer of Industrial Pipe Fixing



Product Code: BS-14

Product Name: Light Clamp

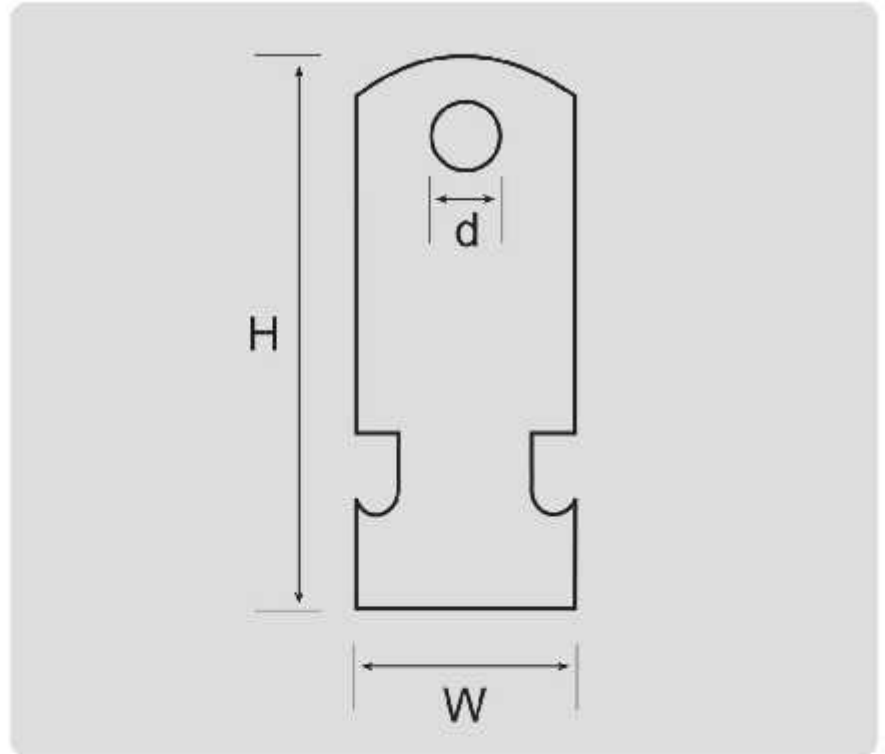
Size: 1/4 " - 2 "

Coating: Electro galvanized

DIMENSION (mm)

Pipe size	D	d	H	L	T	W
1/4 "	13.72	7	15	42	2	20
3/8 "	17.14	7	19	46	2	20
1/2 "	21.34	7	23	50	2	20
3/4 "	26.67	7	28	55	2	20
1 "	33.40	7	35	67	2	20
1 1/4 "	42.16	7	44	75	2	20
1 1/2 "	48.26	7	50	82	2	20
2 "	60.32	7	62	94	2	20

Manufacturer of Industrial Pipe Fixing



Product Code: BS-15

Product Name: Cable Clamp with rail

Size: 18 mm - 110 mm

Coating: Electro galvanized

DIMENSION (mm)

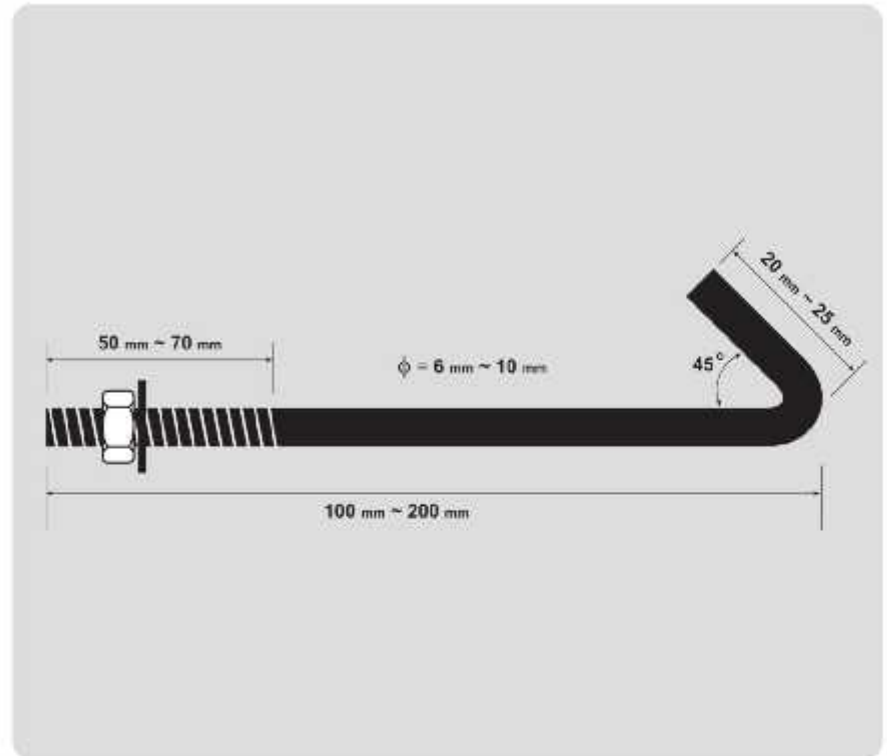
Pipe size	d	H	T	W
18 ~ 24	7	63	2	34
25 ~ 27	7	70	2	34
28 ~ 32	7	77	2	34
33 ~ 39	7	82	2	34
40 ~ 42	7	87	2	34
43 ~ 46	7	90	2	34
47 ~ 50	7	92	2	34
51 ~ 59	7	101	2	34

Pipe size	d	H	T	W
60 ~ 63	7	110	2	34
64 ~ 73	7	118	2	34
74 ~ 76	7	125	2	34
77 ~ 88	7	131	2	34
89 ~ 92	7	137	2	34
93 ~ 99	7	153	2	34
100 ~ 110	7	168	2	34

NOTE:

Rail dimension = 2 x 40 x 40 x 2000 mm

Manufacturer of Industrial Pipe Fixing

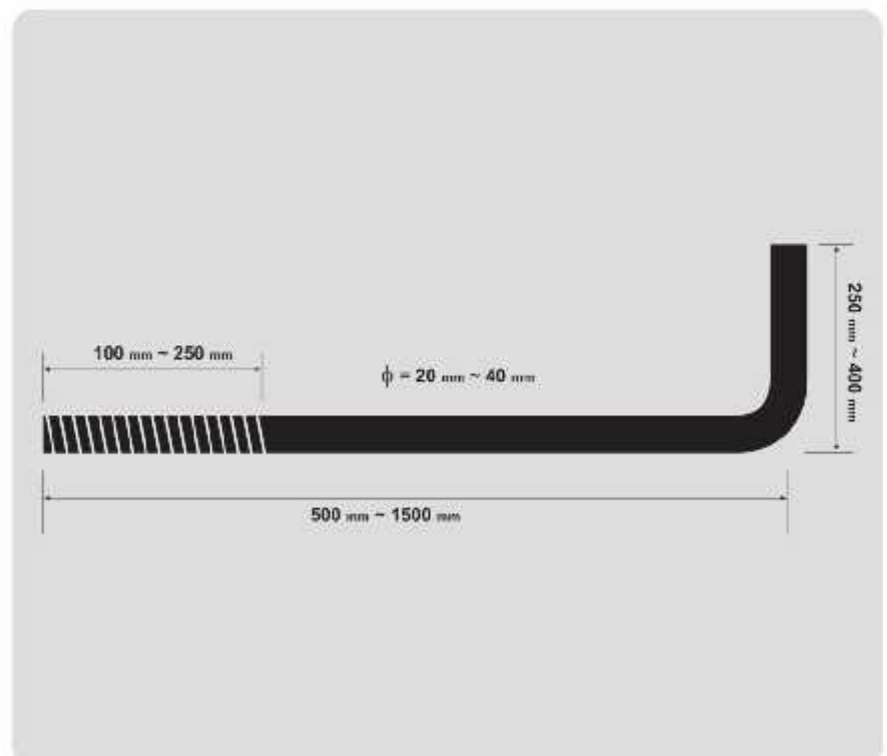


Product Code: BS-17

Product Name: J - Bolt

Size: 6 mm - 12 mm

Coating: Electro galvanized



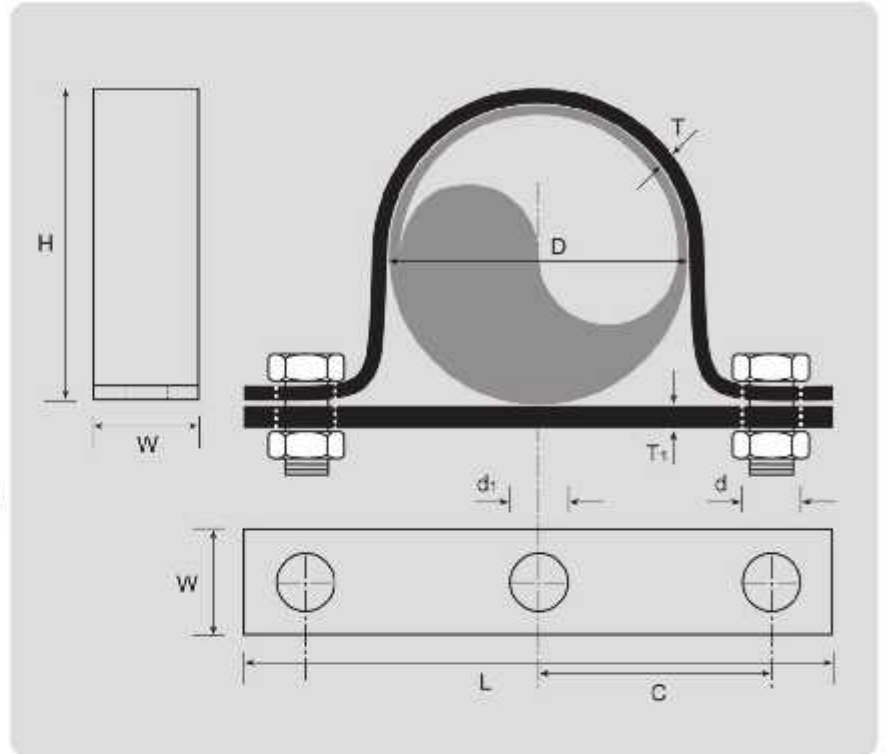
Product Code: BS-21

Product Name: Anchore Bolt

Size: 6 mm - 60 mm

Coating: Electro galvanized

Manufacturer of Industrial Pipe Fixing



Product Code: BS-22

Product Name: Heavy Clamp

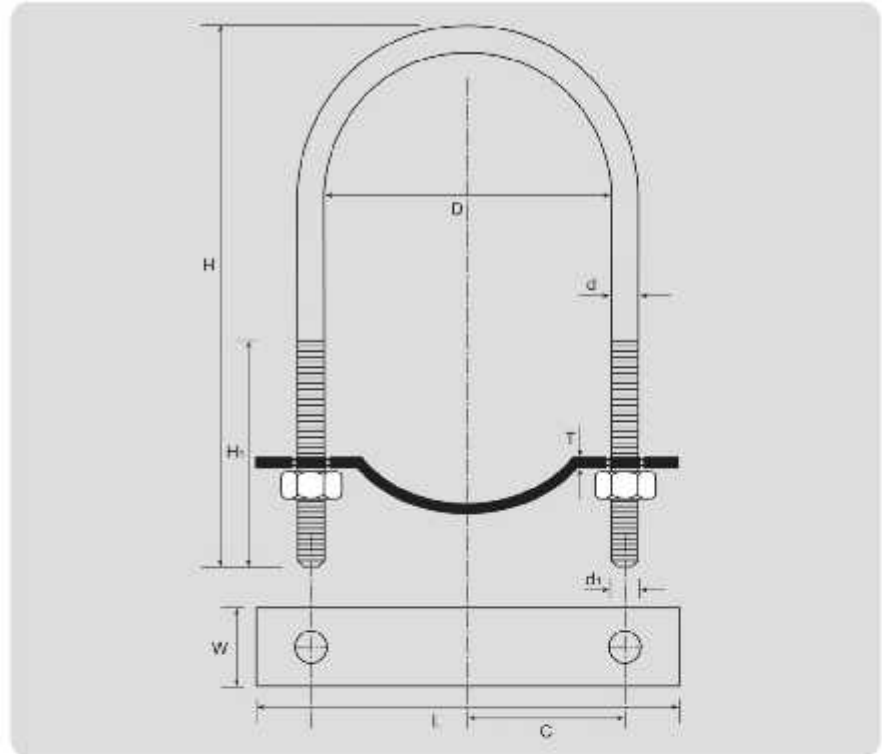
Size: 1/2 " - 8 "

Coating: Electro galvanized

DIMENSION (mm)

Pipe size	D	d	d1	H	L	C	T	T1	W	Nut&Bolt
1/2 "	21.34	7	7	23	116	49	2	8	20	6 x 10
3/4 "	26.67	7	7	28	126	58	2	8	20	6 x 10
1 "	33.40	7	7	35	129	63	2	8	20	6 x 10
1 1/4 "	42.16	7	7	44	142	66	2	8	20	6 x 10
1 1/2 "	48.26	7	7	50	142	76	2	8	20	6 x 10
2 "	60.32	7	7	62	153	86	2	8	20	6 x 10
2 1/2 "	73.02	9	9	75	185	107	2.3	8	25	6 x 10
3 "	88.90	9	9	82	199	120	2.3	8	25	6 x 10
4 "	114.30	9	9	116	220	141	2.3	8	25	6 x 10
	125	9	9	127	239	162	3.3	10	35	8 x 10
5 "	141.30	13	13	144	322	194	3.3	10	35	8 x 10
6 "	168.28	13	13	171	350	217	3.3	10	35	8 x 10
8 "	219.08	13	13	222	430	270	3.3	10	35	8 x 10

Manufacturer of Industrial Pipe Fixing



Product Code: BS-25

Product Name: Heavy U - Bolt with half Clamp

Size: 1/2 " - 36 "

Coating: Electro galvanized

DIMENSION (mm)

Pipe size	d1	L	C	T	W
1/2 "	8	87	32	6	50
3/4 "	8	93	37	6	50
1 "	8	98	44	6	50
1 1/4 "	10	105	55	6	50
1 1/2 "	10	113	61	6	50
2 "	10	133	73	8	50
2 1/2 "	12	146	89	8	60
3 "	12	163	105	8	60
4 "	12	189	131	8	60
5 "	15	228	160	8	60
6 "	15	253	187	8	60
8 "	15	306	237	8	60
10 "	15	400	293	8	60






Pipe size	d1	L	C	T	W
12 "	15	410	344	10	70
14 "	20	456	382	10	70
16 "	20	507	433	10	70
18 "	20	558	484	10	70
20 "	24	622	548	10	70
22 "	24	673	599	12	80
24 "	24	724	650	12	80
26 "	28	789	700	12	80
28 "	28	840	755	12	80
30 "	35	906	812	12	80
32 "	35	957	862	15	90
34 "	40	1024	920	15	90
36 "	40	1075	971	15	90

NOTE:

1- Refer to page 21 for U - Bolt dimensions.

2- Plate arch = 1/4 D

ALL PRODUCT :

				
A-10 size 6 ^{mm} - 120 ^{mm}	B-11 size 1/2" & 3/4"	C-12 size 1/2" - 2"	D-13 size 1/2" - 2"	E-14 size 2 1/2" - 4"
				
F-15 size 5" - 8"	G-16 size 2" - 8"	H-17 size 1/8" - 2"	L-18 size 2 1/2" - 4"	L-18A size 5" - 8"
				
J-19 K-20 size 1/2" - 2"	L-21 size 1/2" - 8"	M-22 size 1/2" - 8"	N-23 size 1/2" - 8"	O-24 size 5" - 24"
				
P-25 size 18" - 36"	Q-26 size 400 ^{mm} - 1200 ^{mm}	R-27 size 1 1/2" - 12"	R-27A size 1" - 36"	S-28 size 6 ^{mm} - 220 ^{mm}
				
T-29 size 250 ^{mm} - 2000 ^{mm}	U-30A size 1/4" - 52"	U-30B U-30C size 1/2" - 52"	V-31 size 1/4" - 52"	V-31A size 1 1/4" - 52"
				
W-32 size 1/2" - 18"	X-33A size 8" - 36"	X-33B size 2" - 52"	Y-34A size 6" - 36"	Y-34B size 1/2" - 8"

